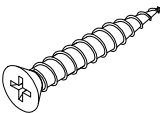
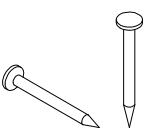
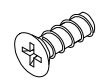
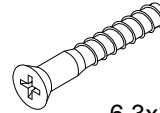
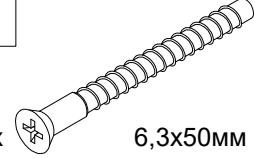
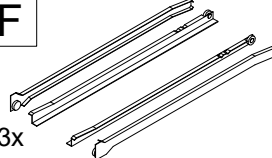
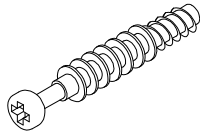
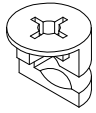

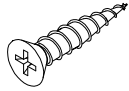
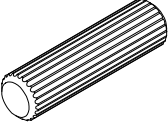
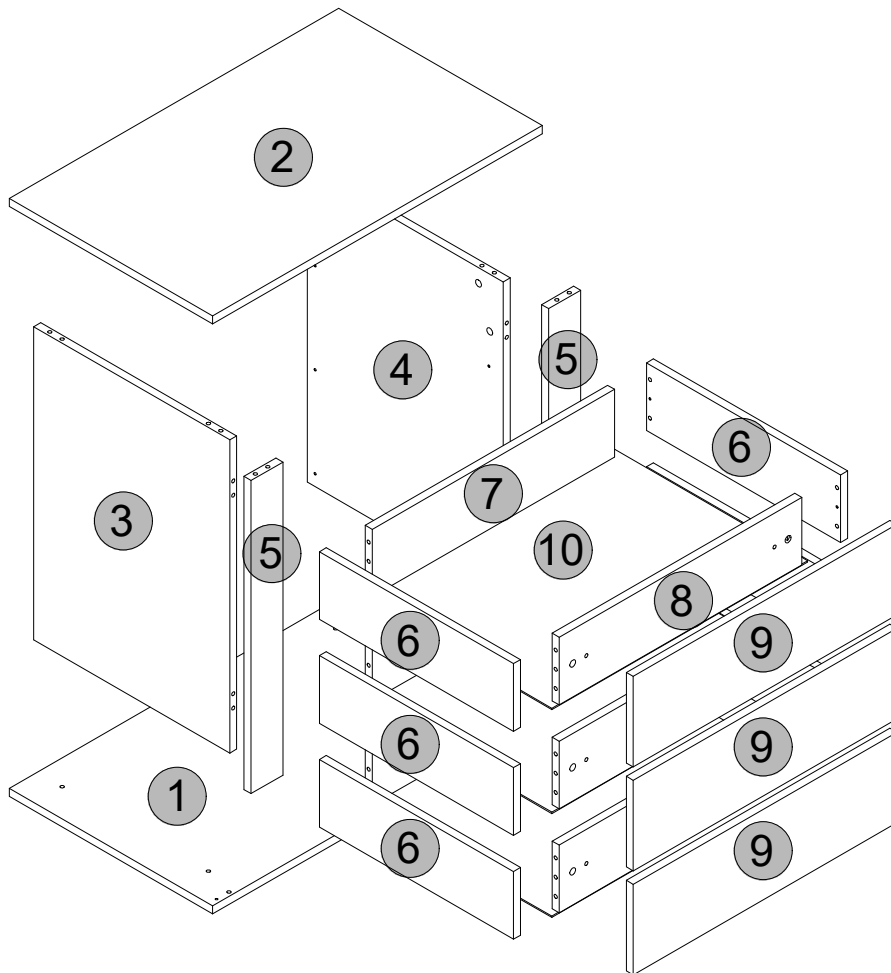
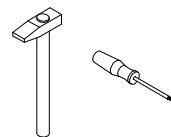
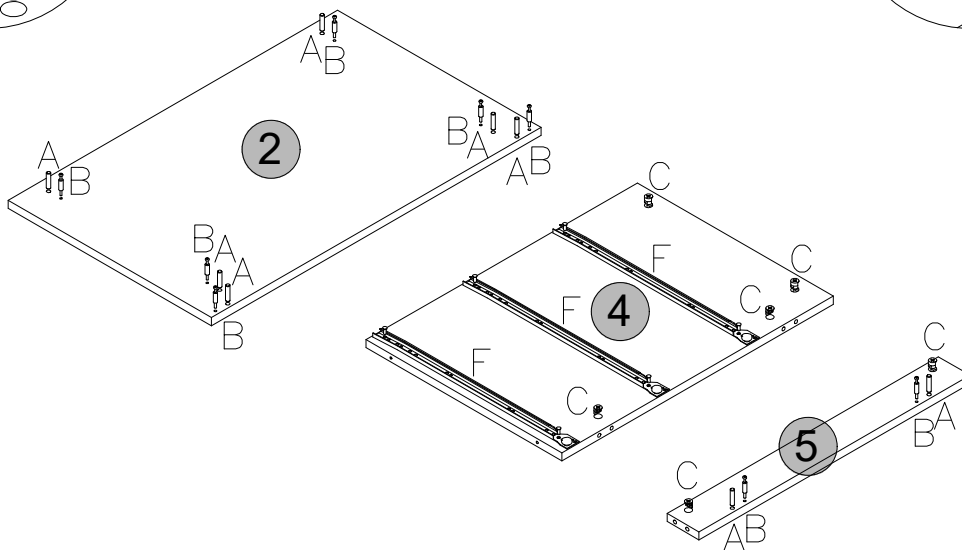
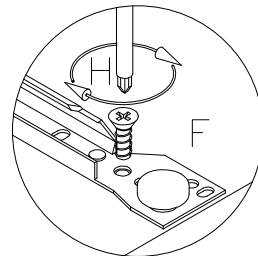
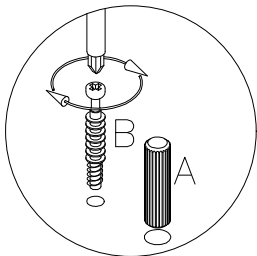
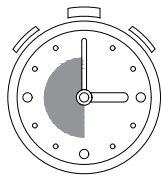
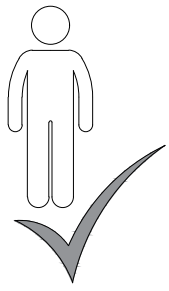


<b>K</b>  6x 3,5x30MM	<b>G</b>  70x	<b>H</b>  12x 6,3x13MM	<b>I</b>  6x 6,3x30MM	<b>J</b>  4x 6,3x50MM
<b>F</b>  3x	<b>B</b>  24x	<b>C</b>  24x	<b>D</b>  8x	<b>E</b>  12x 3,5x16MM
<b>A</b>  36x				

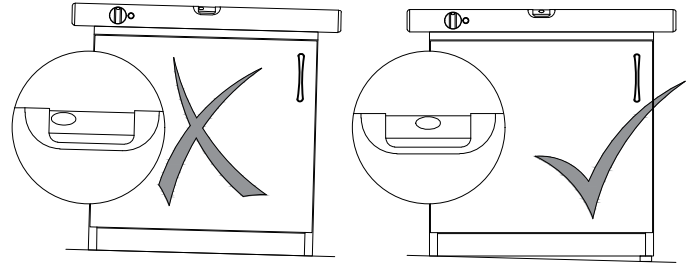
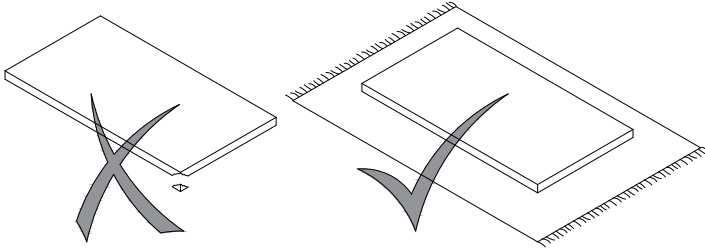
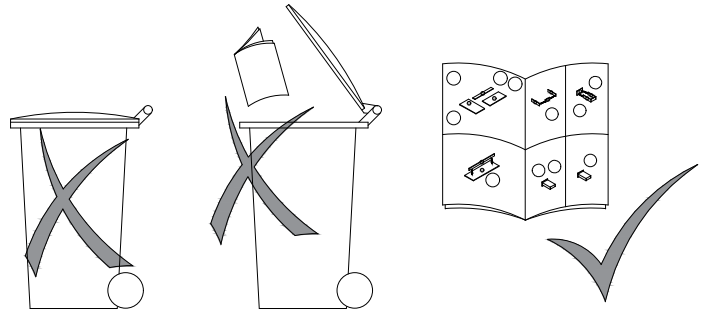


1

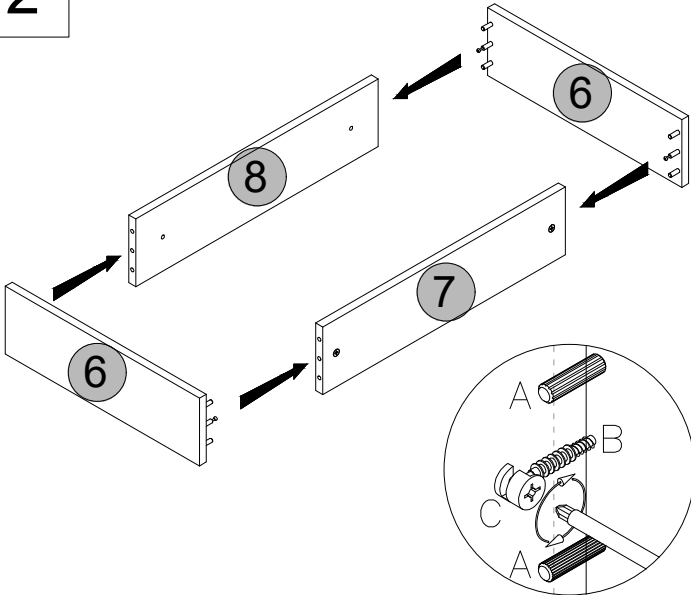




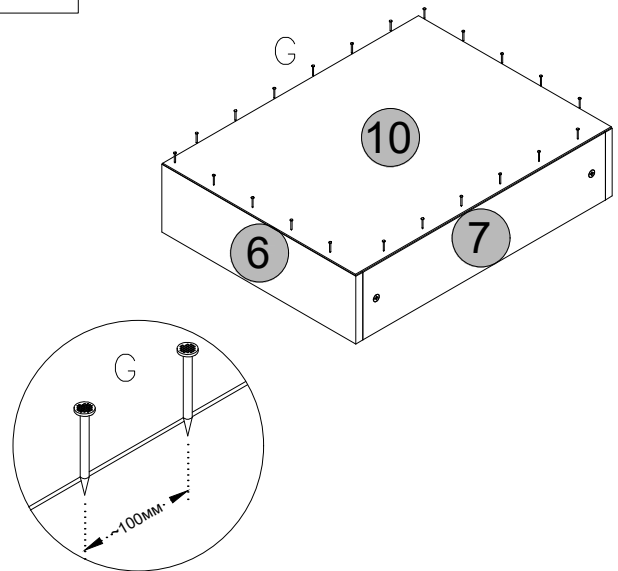
30 min



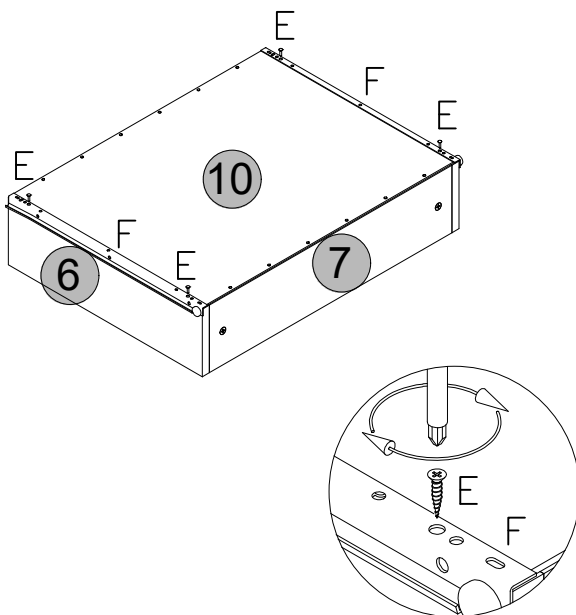
2



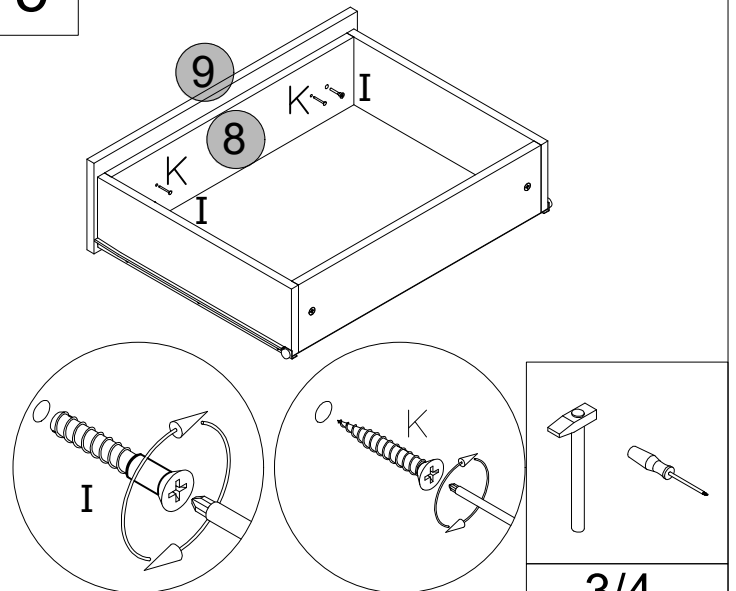
3



4

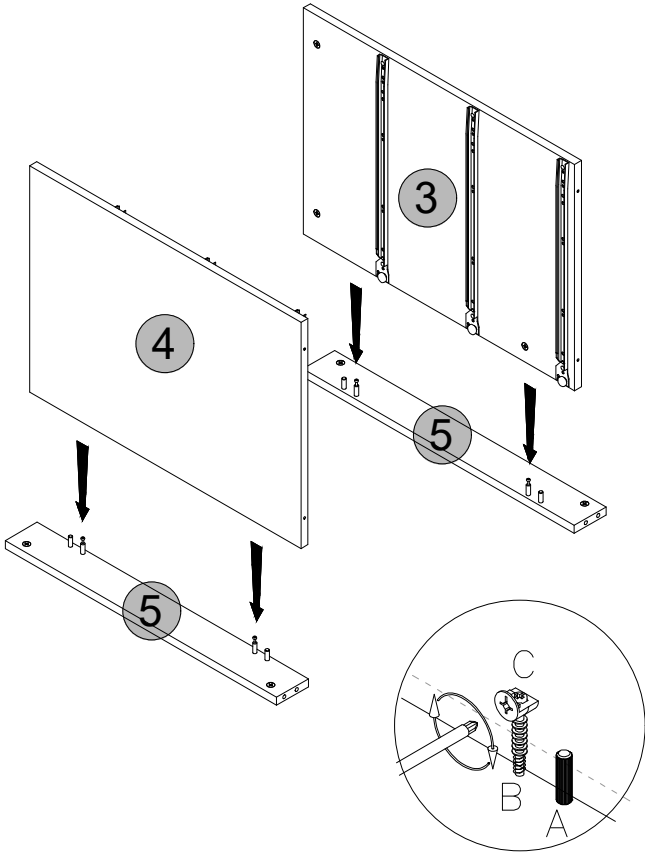


5

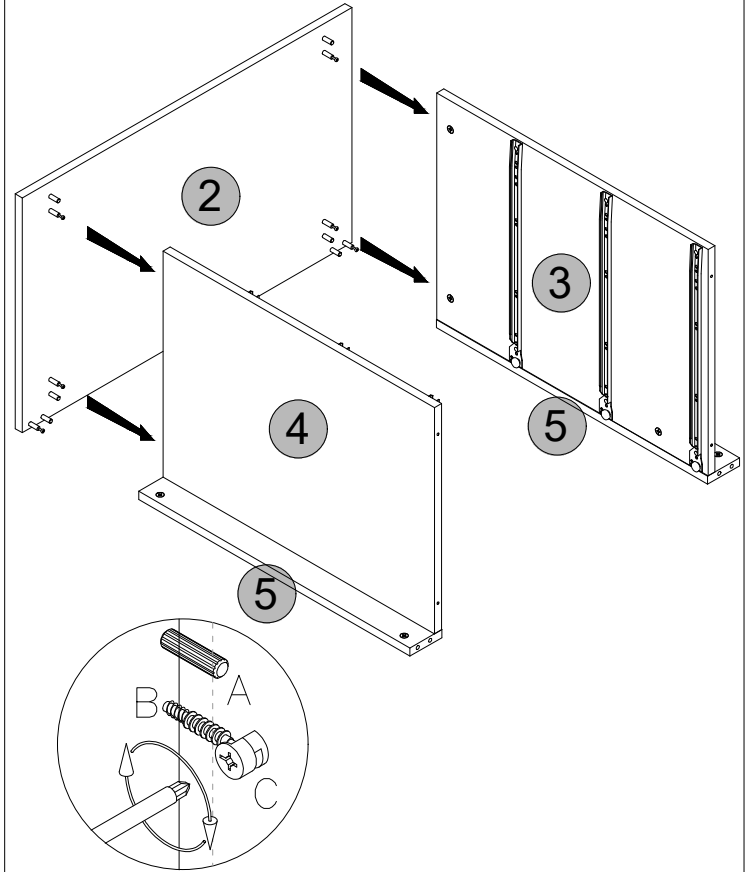


3/4

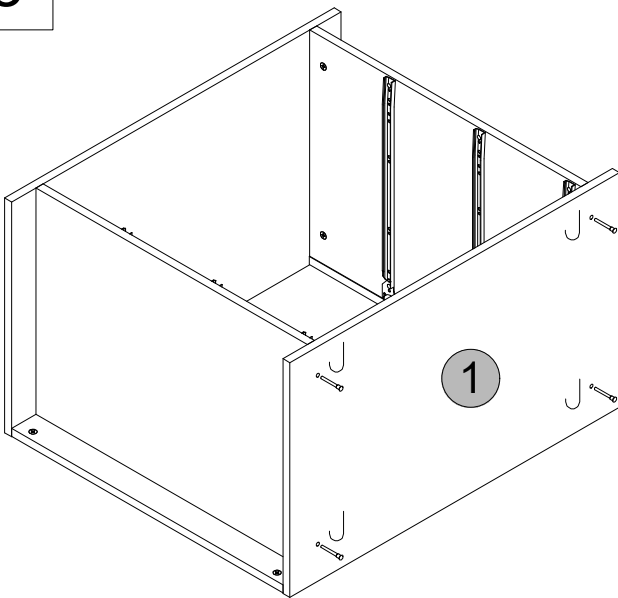
6



7



8



9

