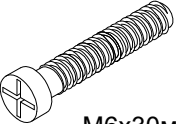
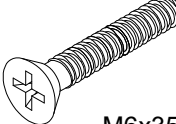
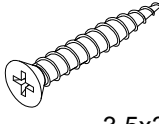
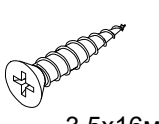
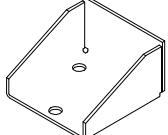
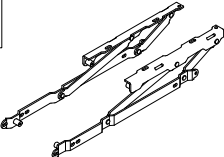
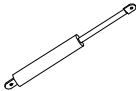
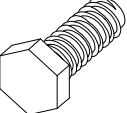

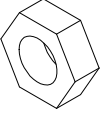
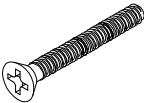

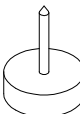
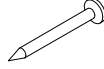
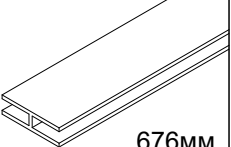
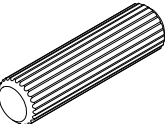
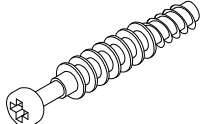
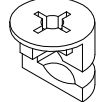

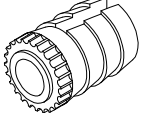
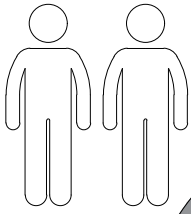
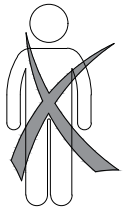
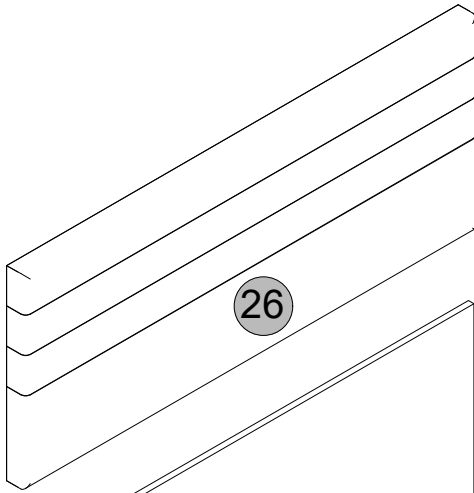
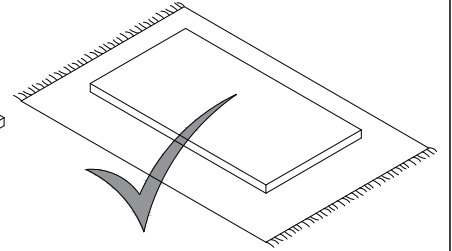
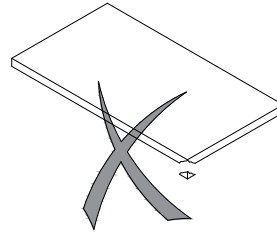
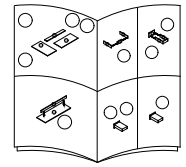
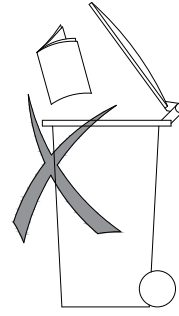
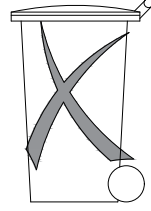


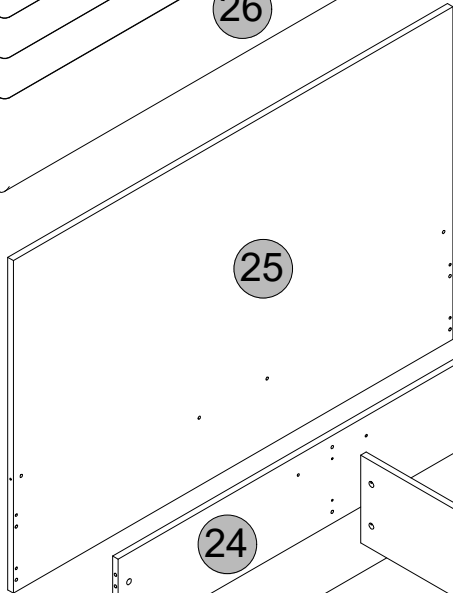
P 14x  M6x30mm	Q 4x  M6x35mm	R 3x  3.5x30mm	S 12x  3.5x16mm	T 4x 
K 1x 	L 2x  1000N	M 4x 	N 4x 	O 4x 
F 6x  M6x50mm	G 6x 	H 26x 	I 100x 	J 4x  676mm
A 20x 	B 14x 	C 14x 	D 14x 	E 14x 



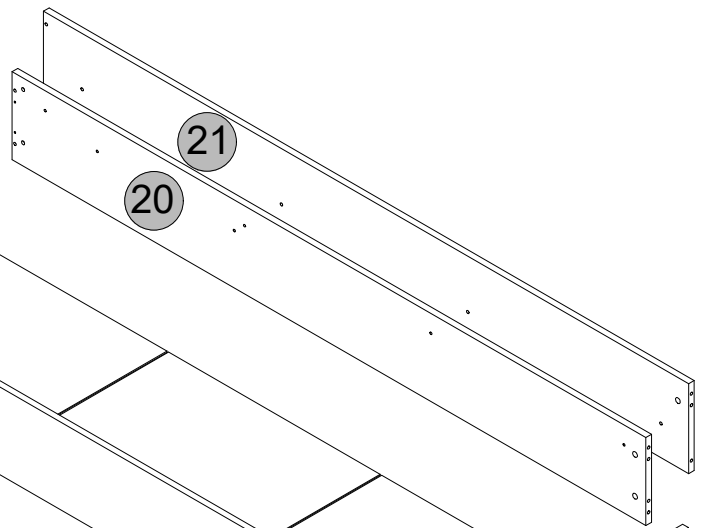
60 min



26

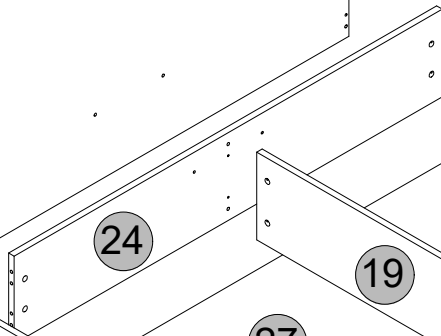


25



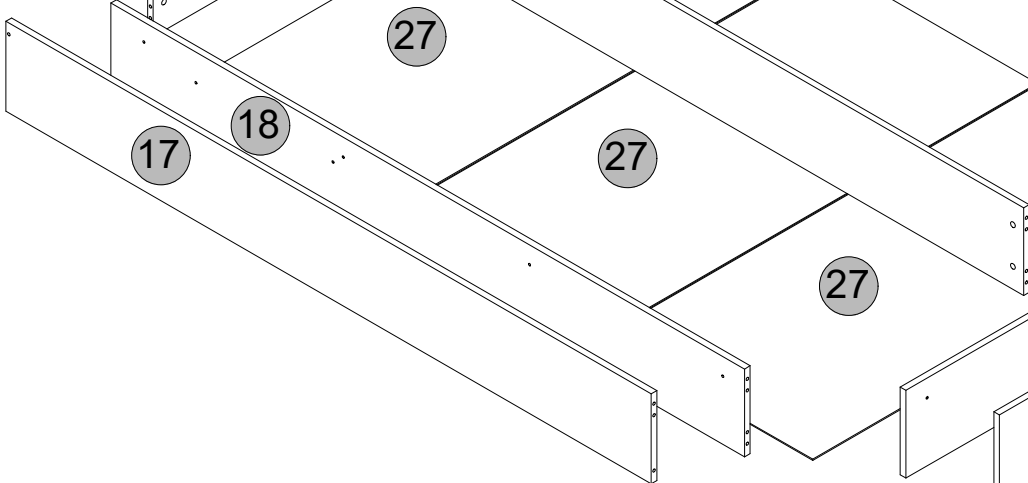
21

20



19

24



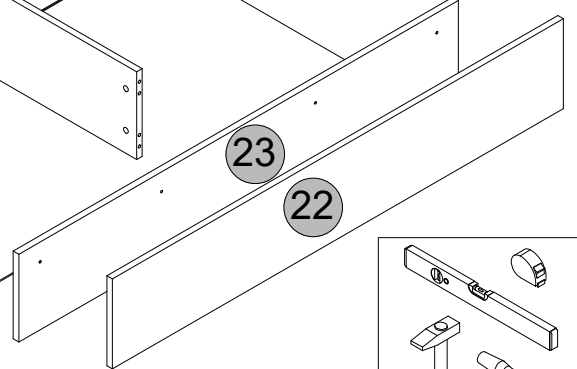
17

18

27

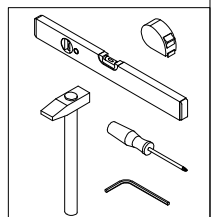
27

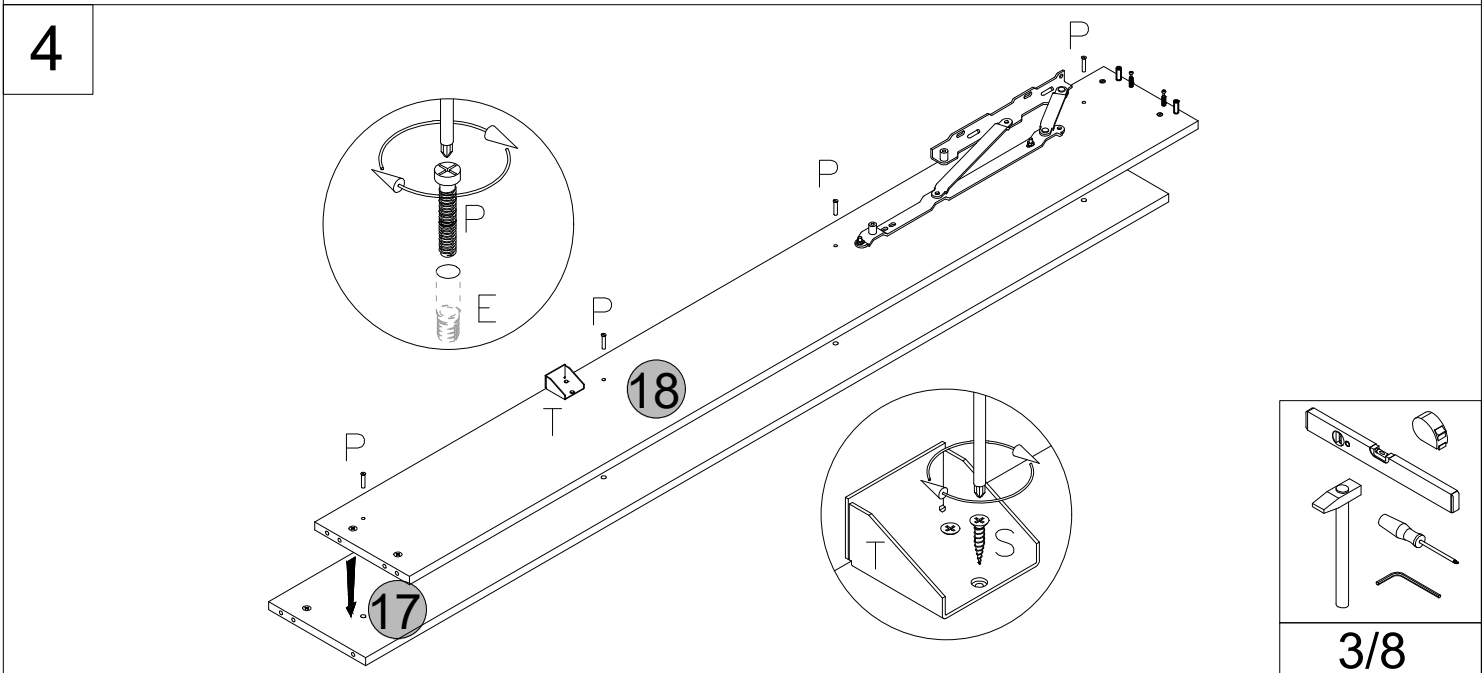
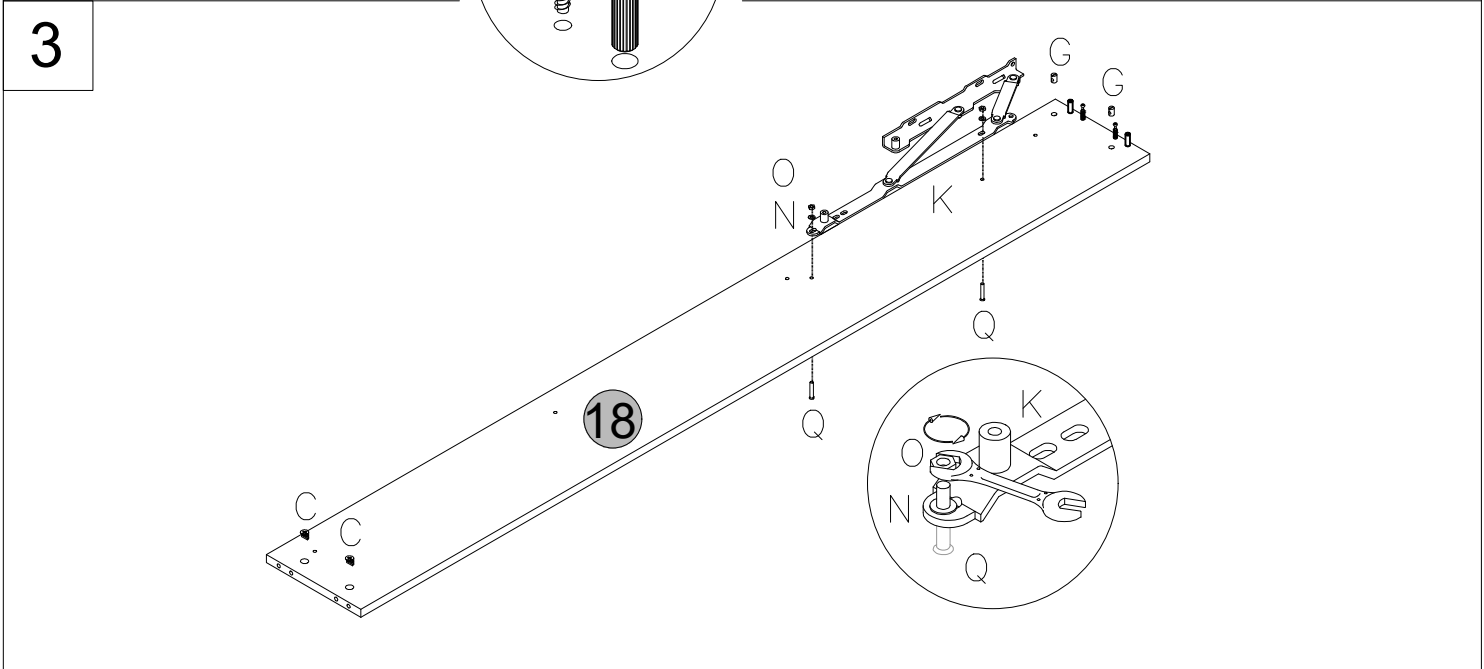
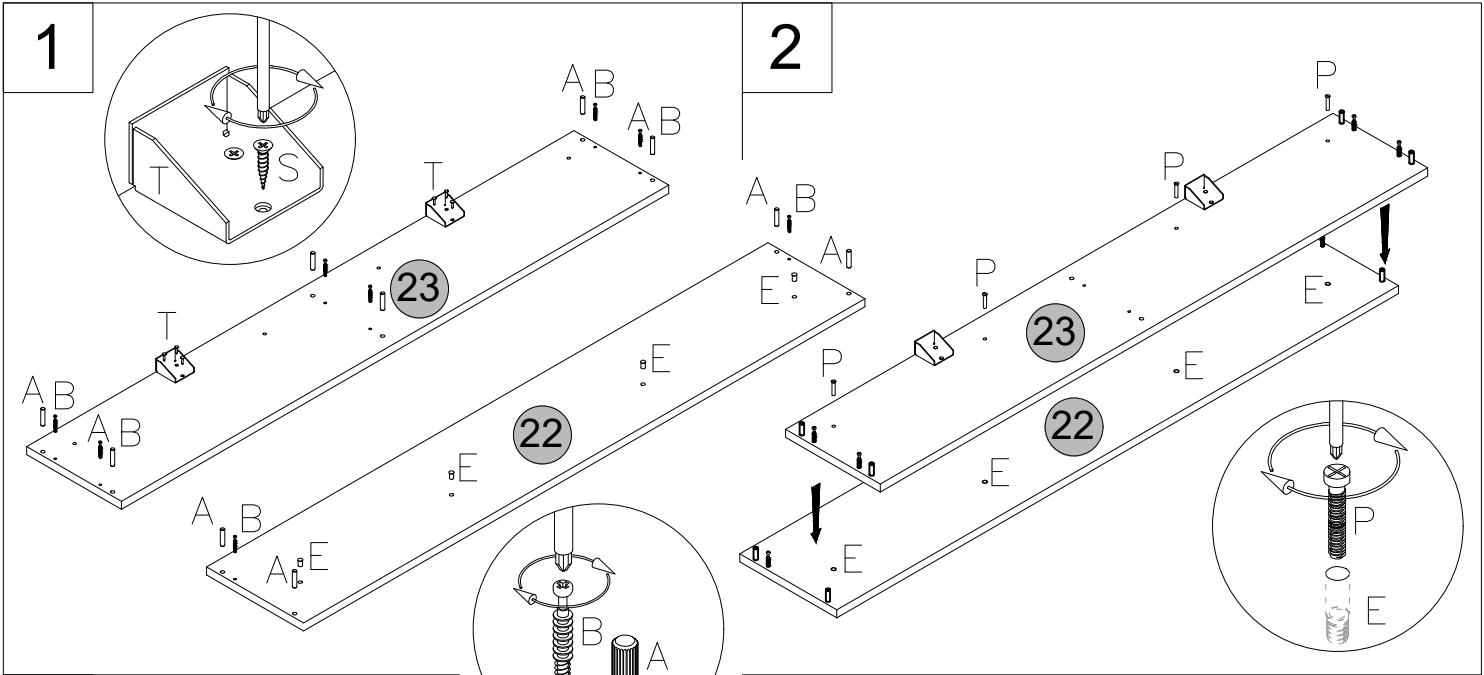
27



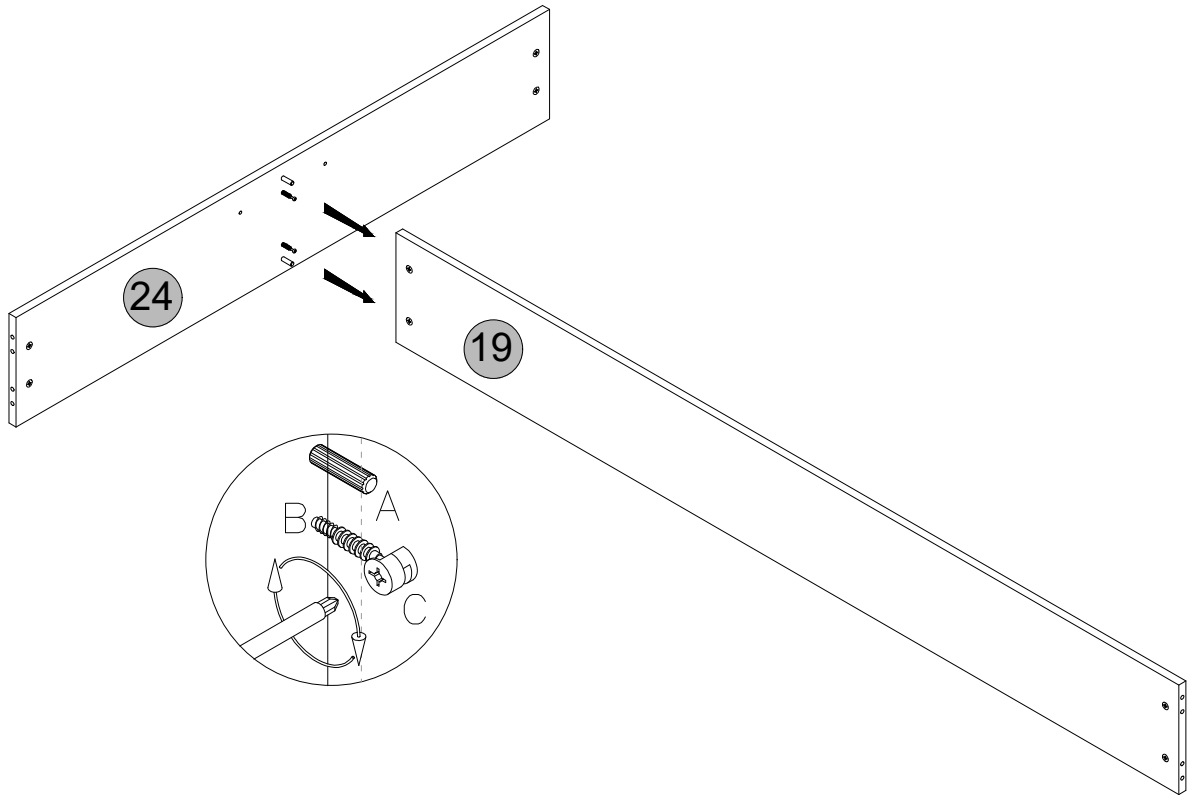
23

22

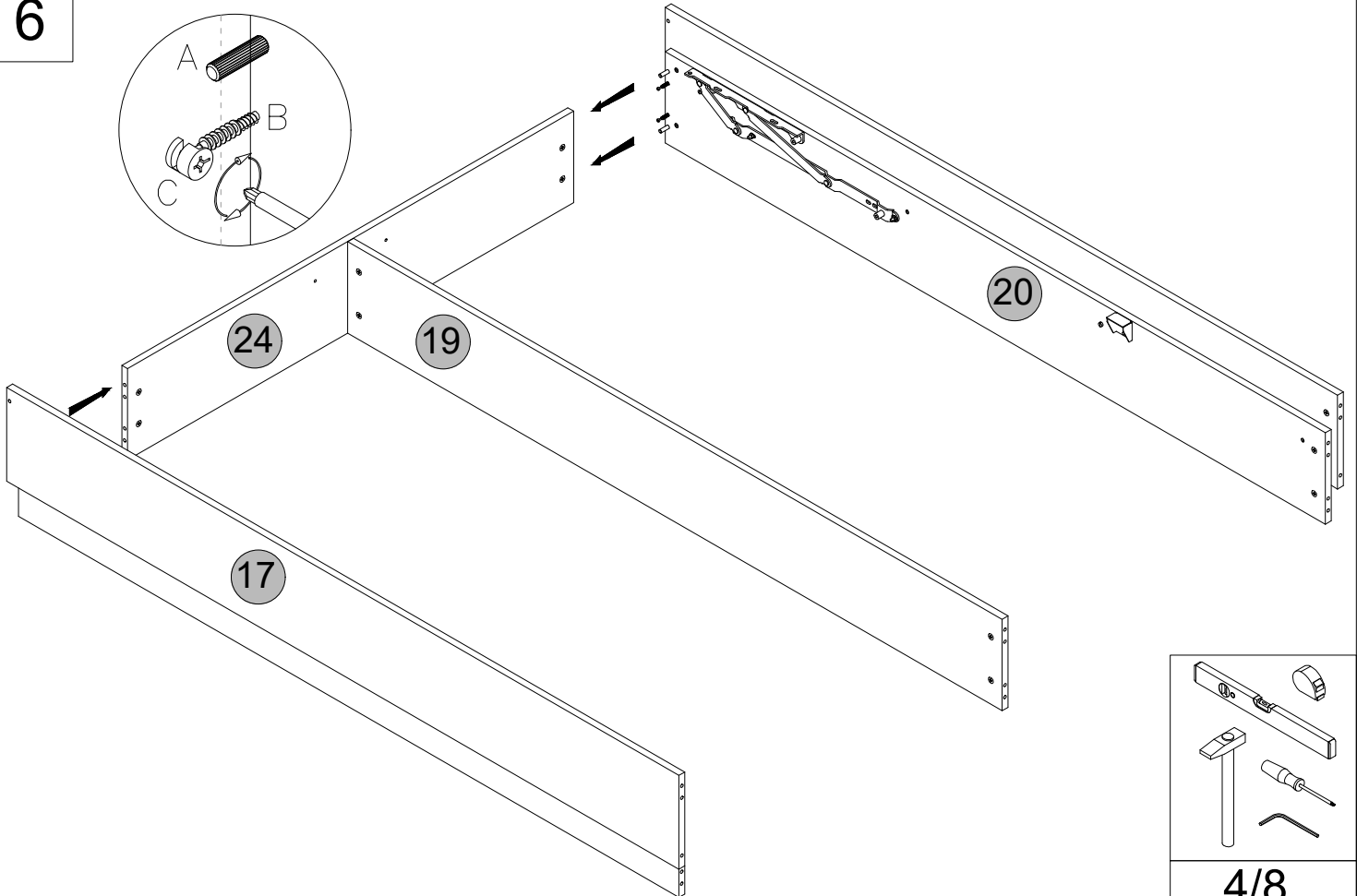




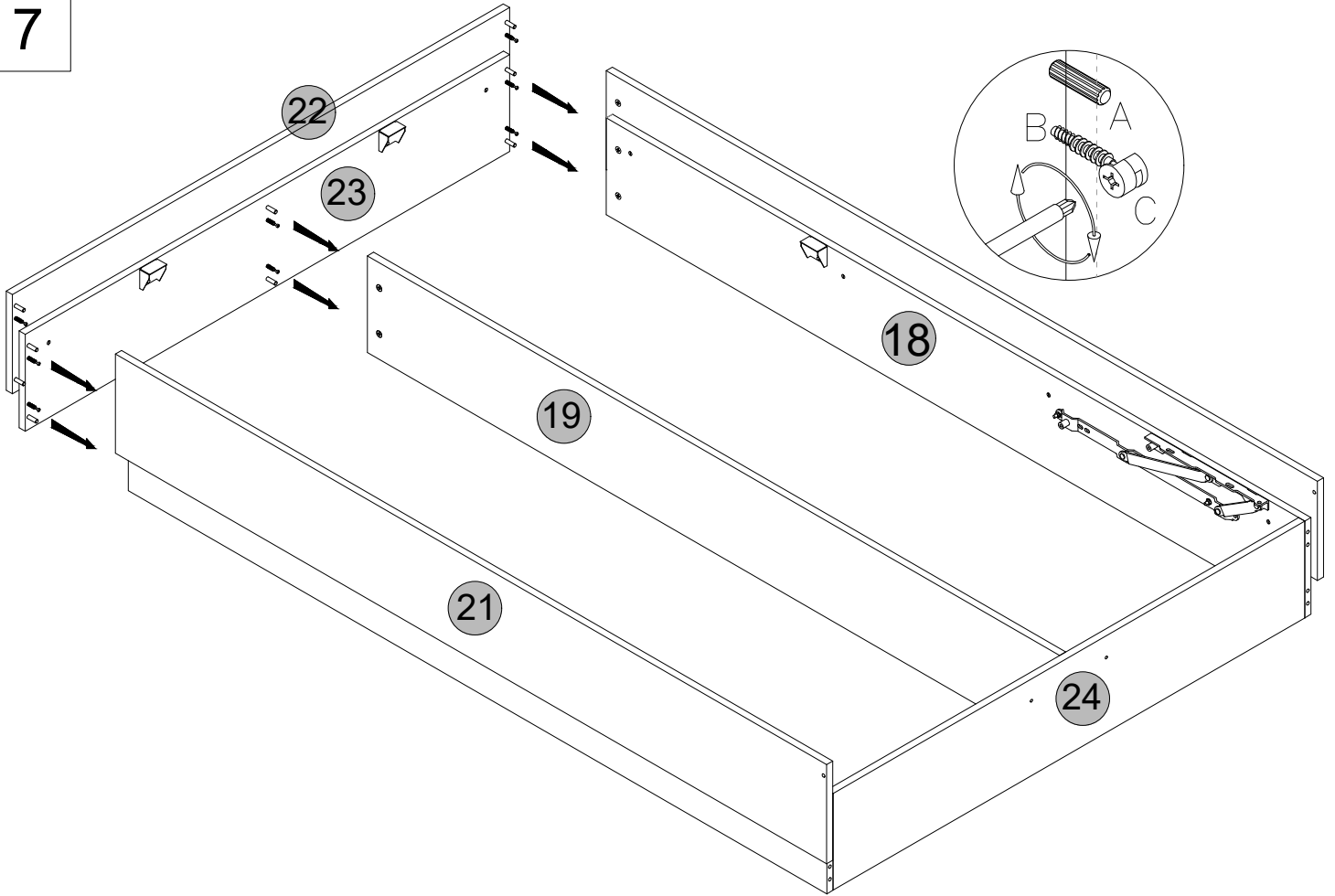
5



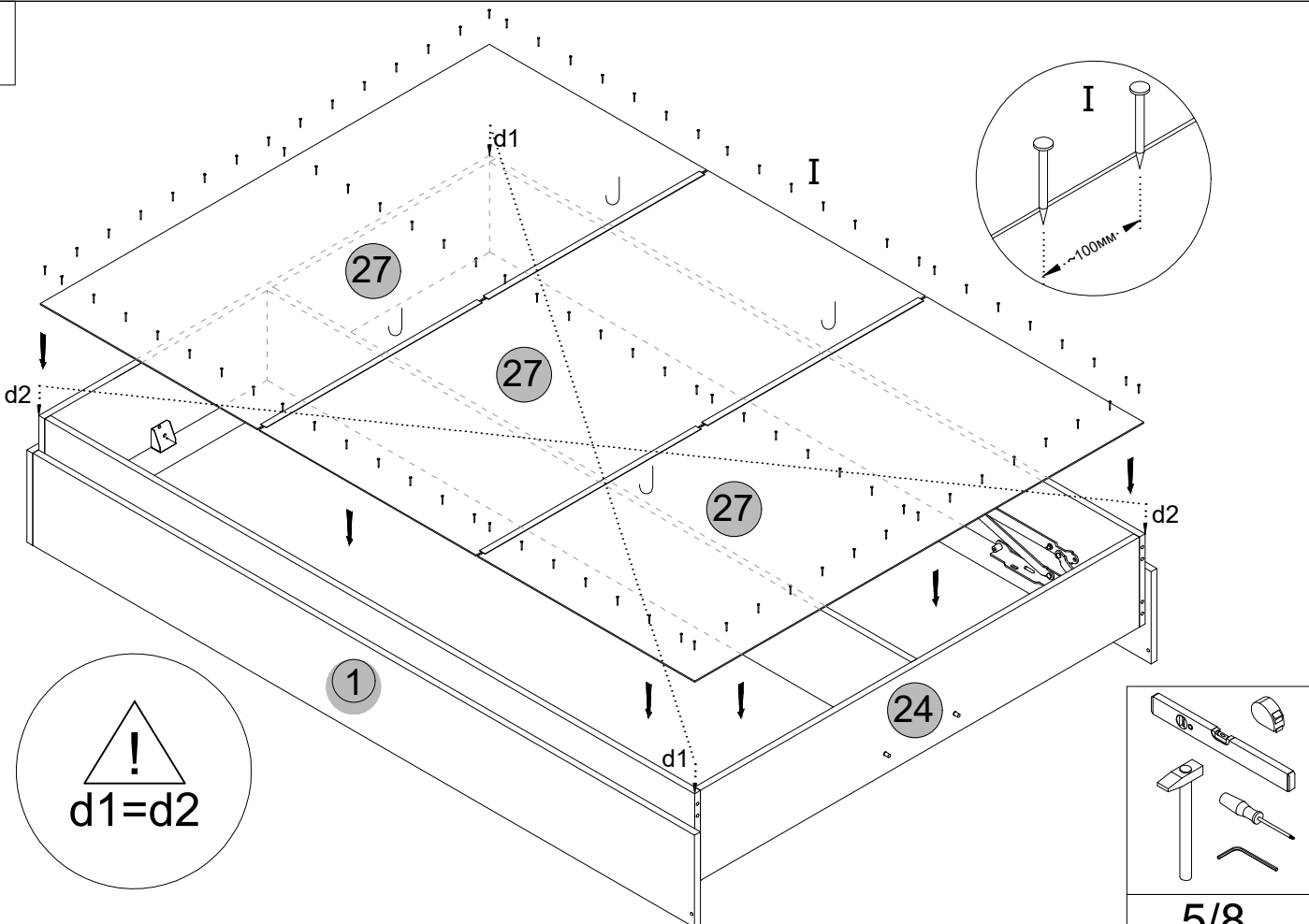
6



7

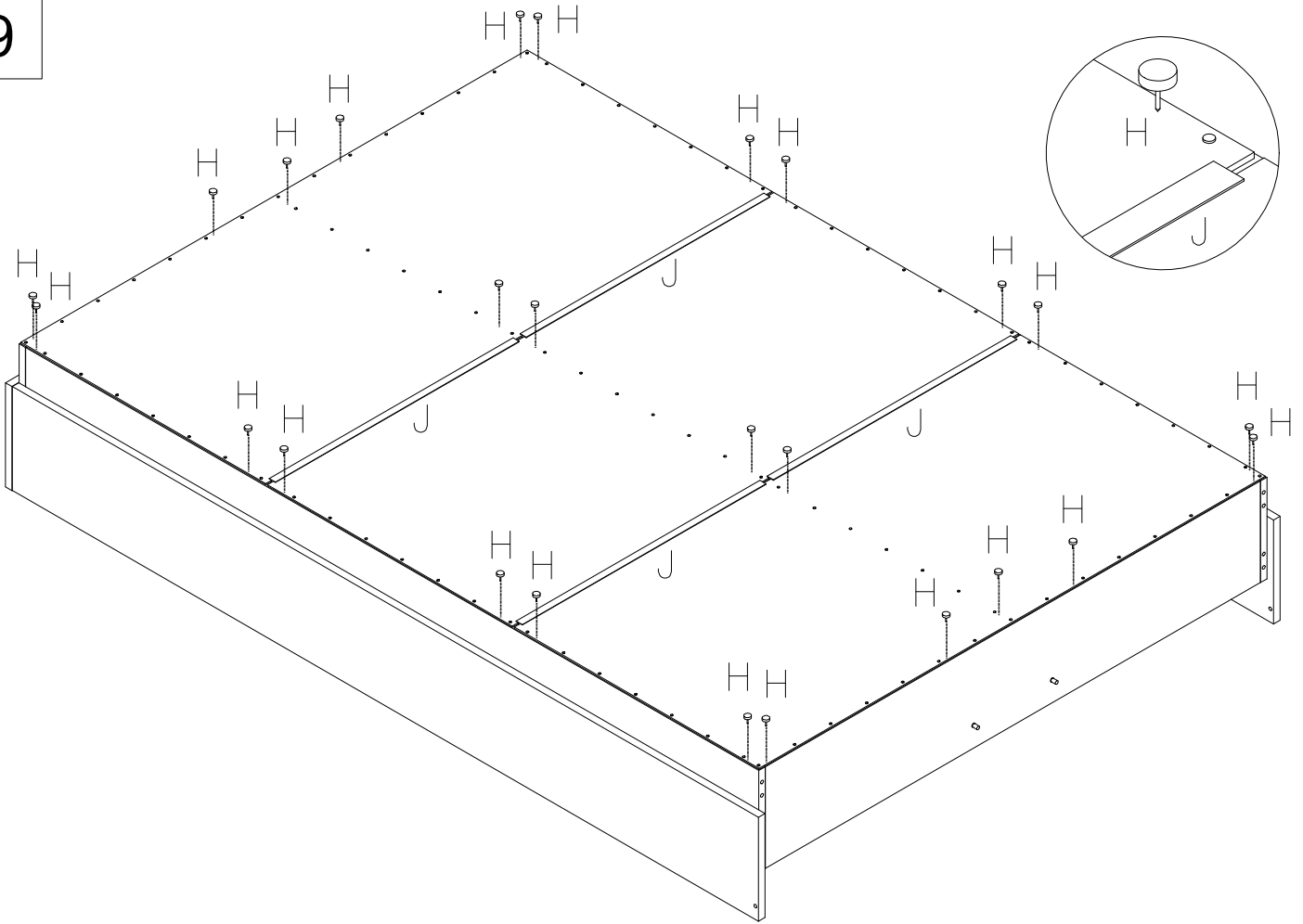


8

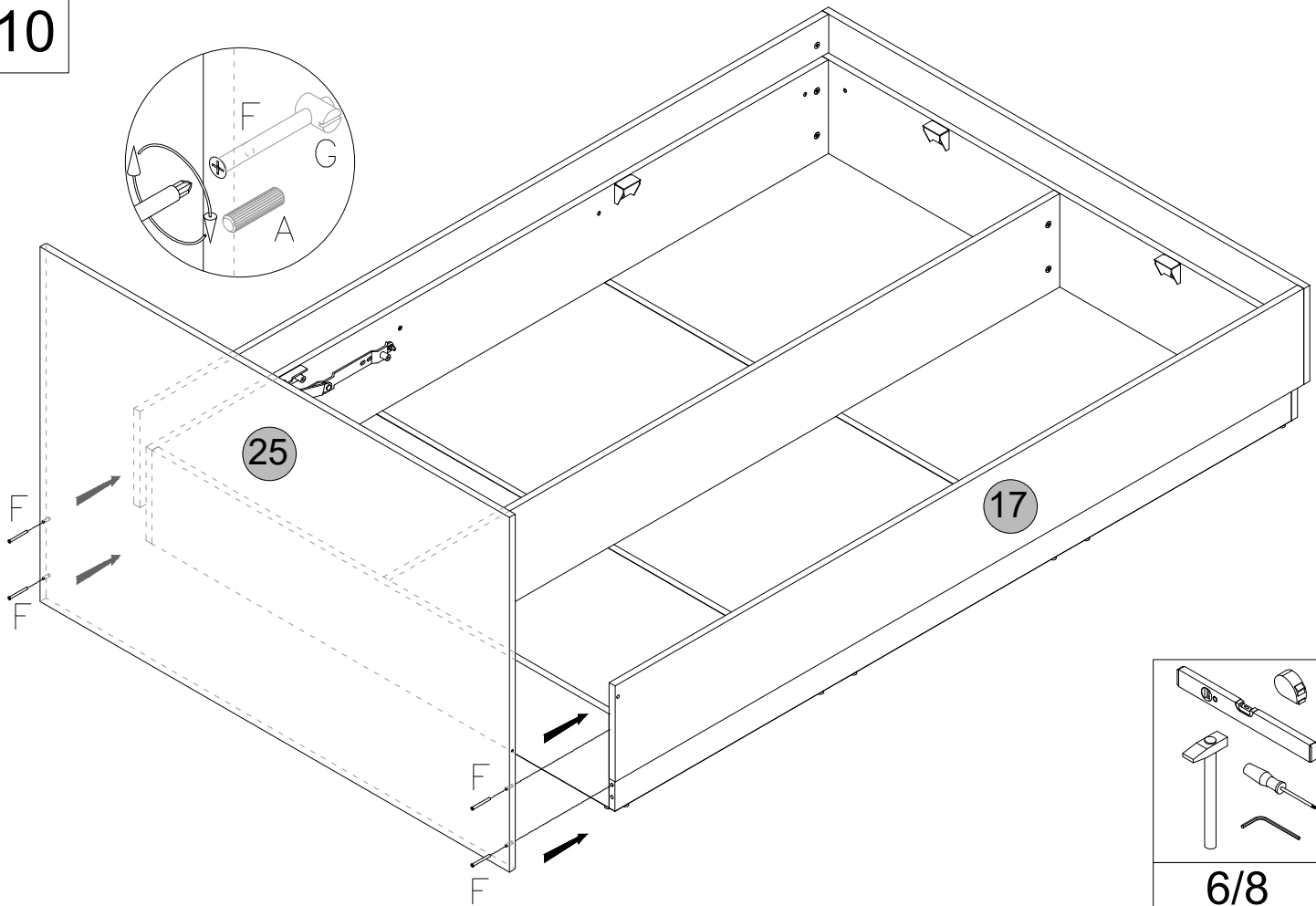


5/8

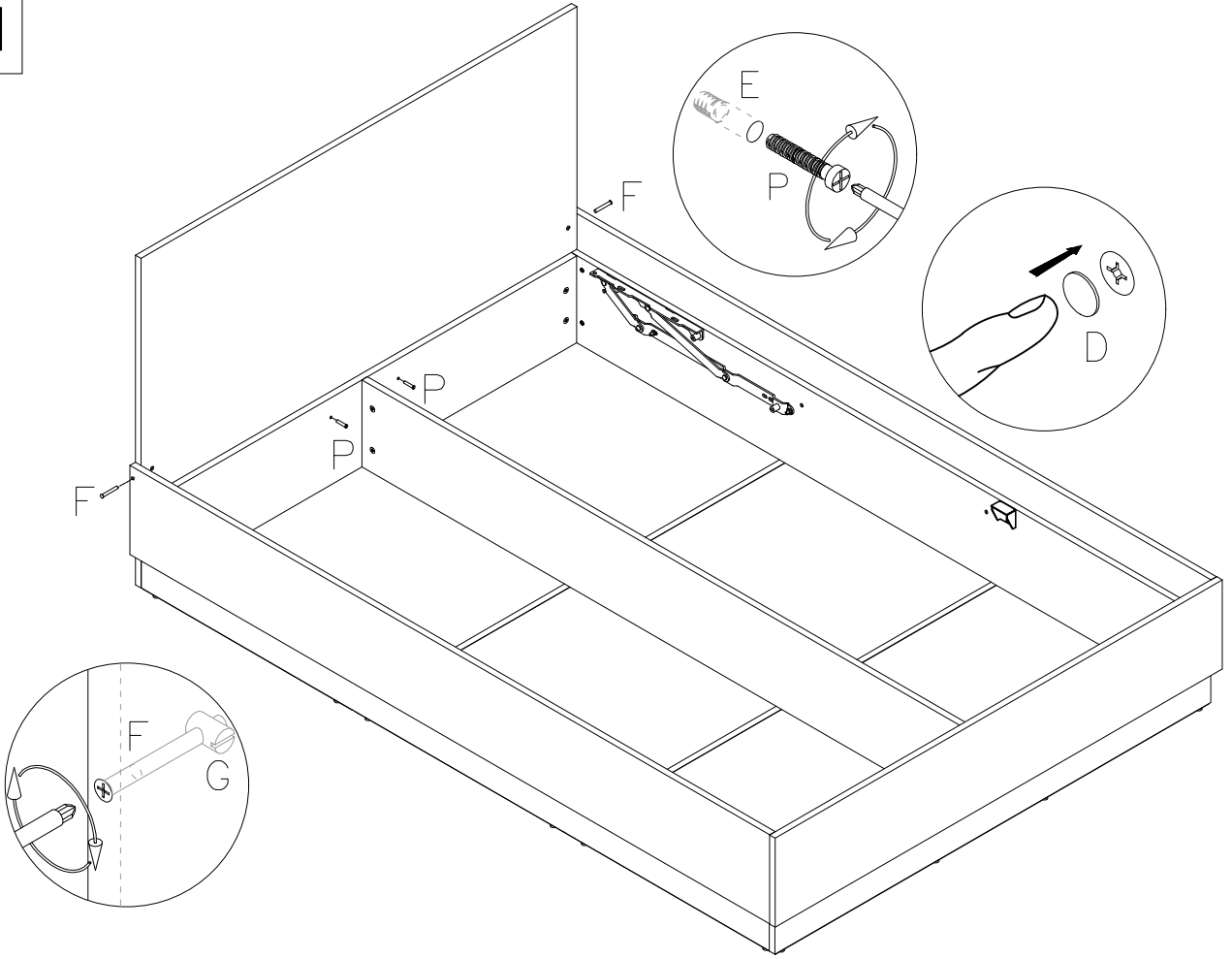
9



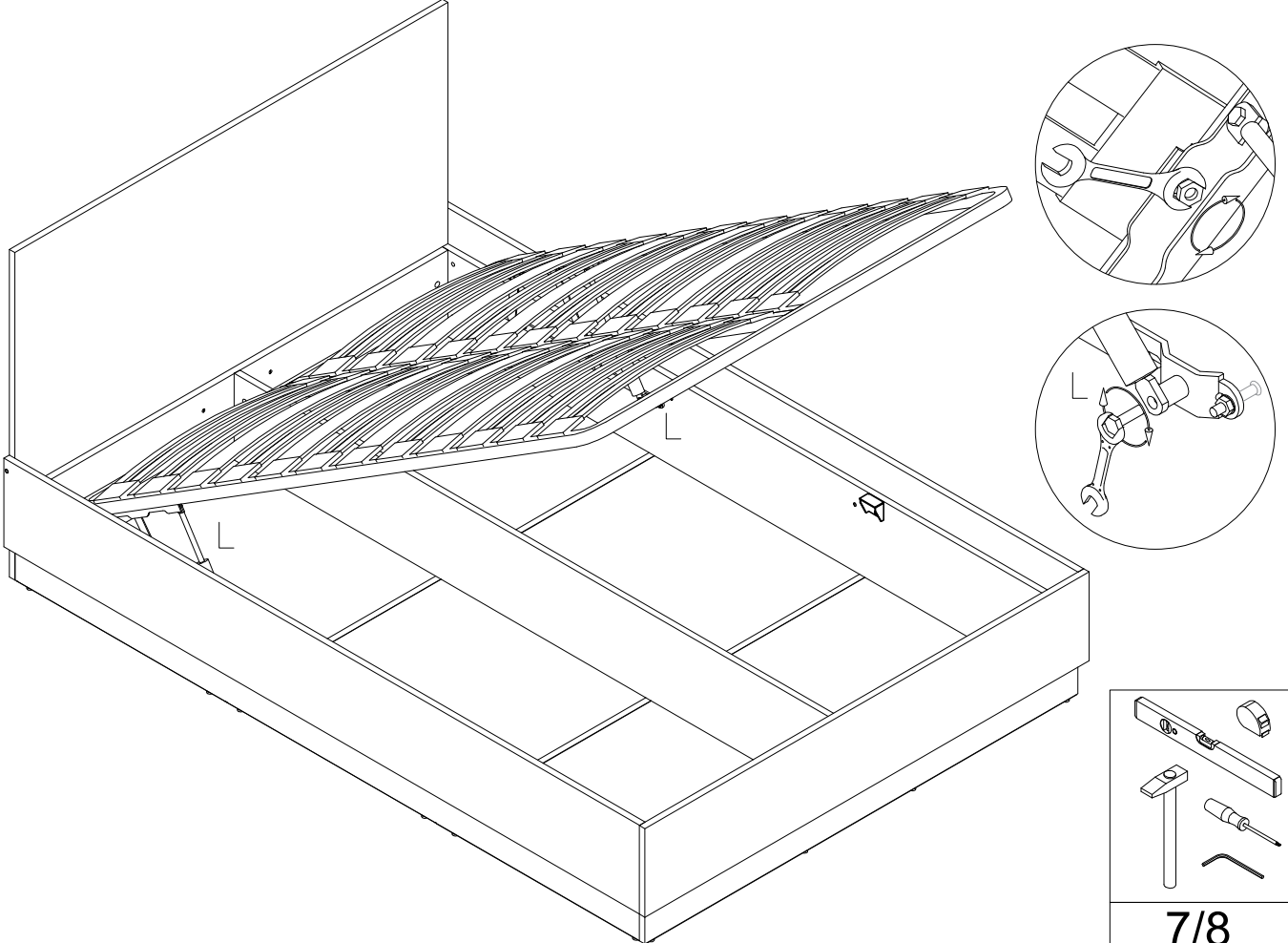
10



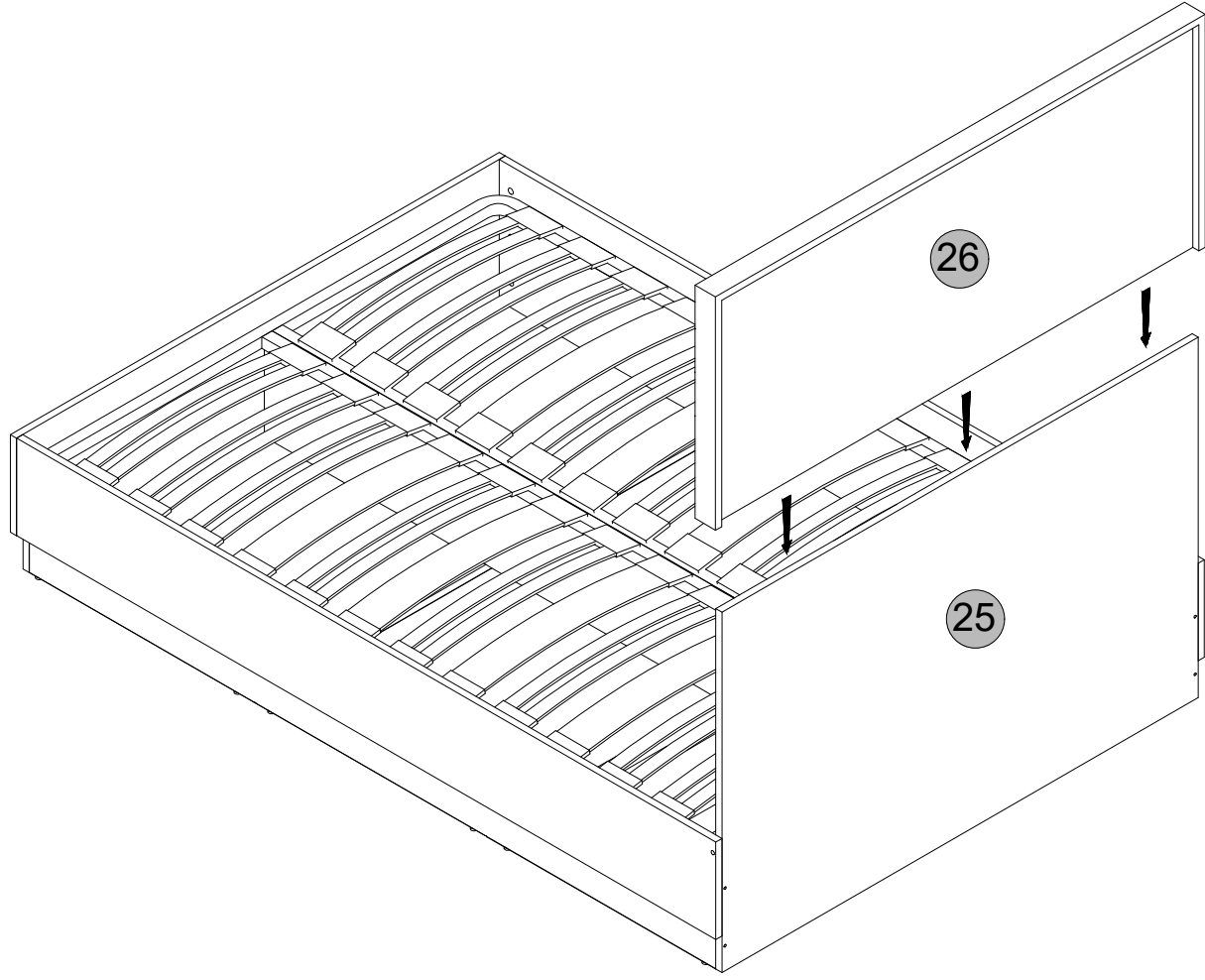
11



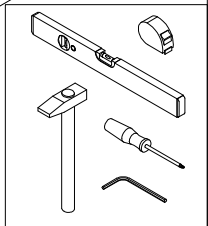
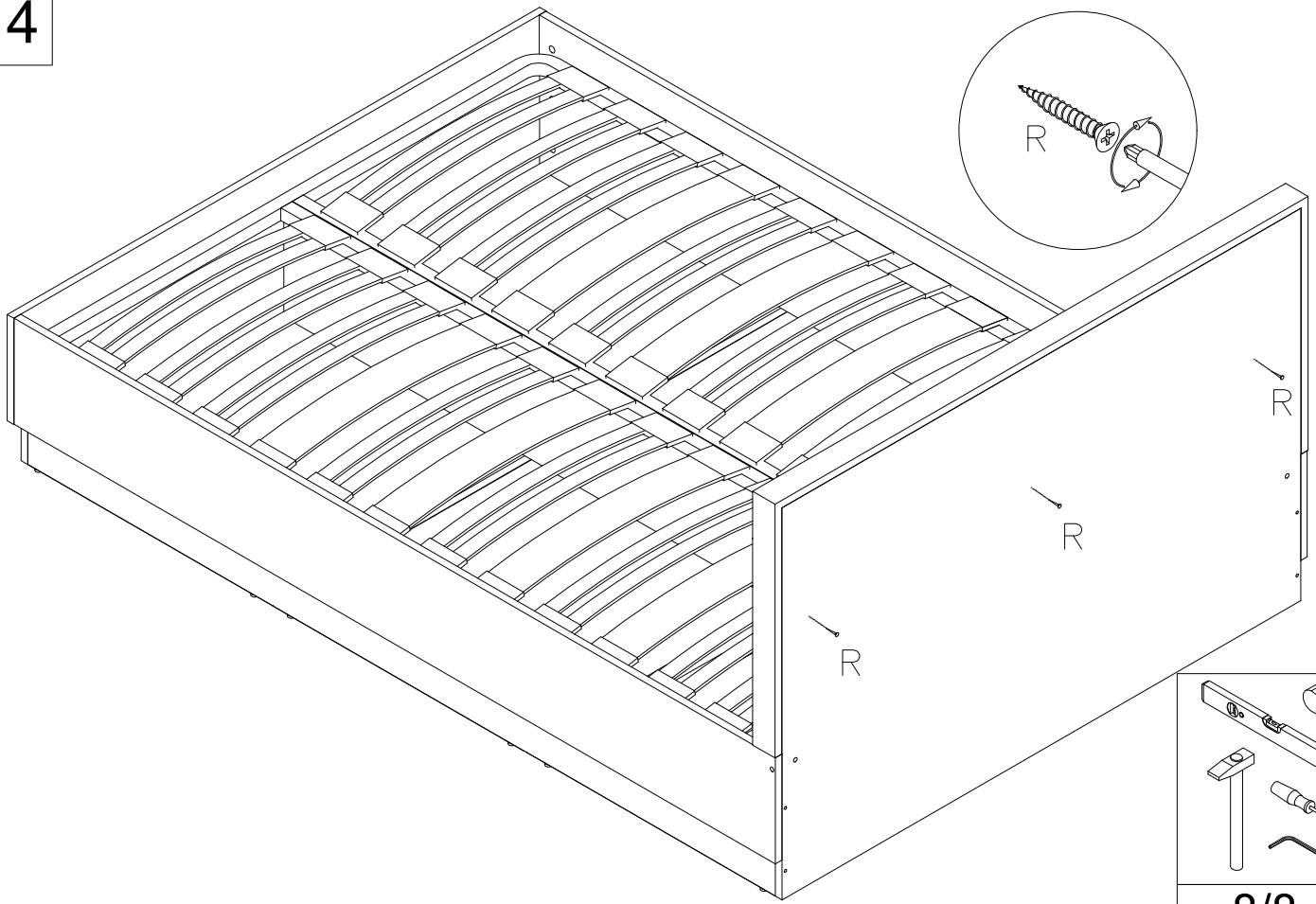
12



13



14



8/8