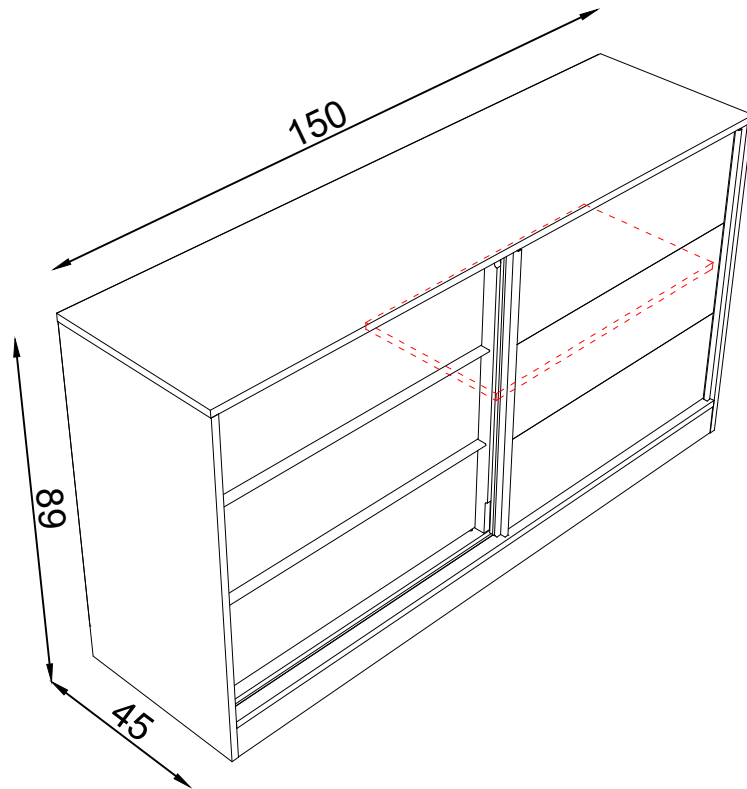
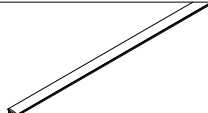
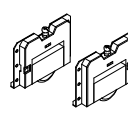
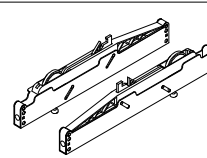

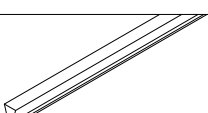
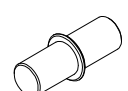
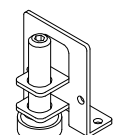
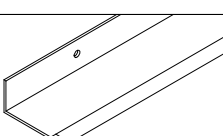
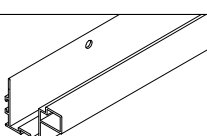
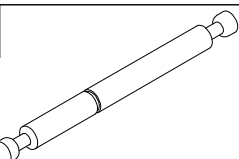
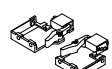
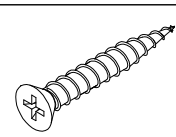
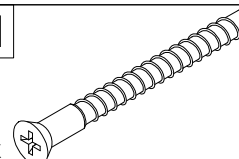
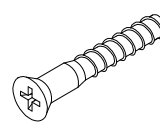
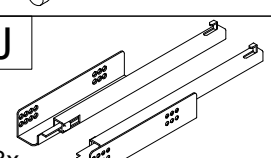

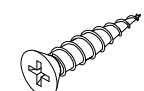
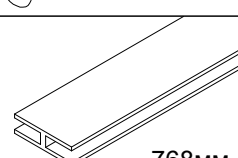
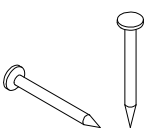
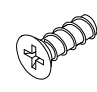
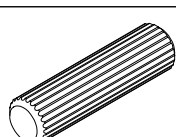
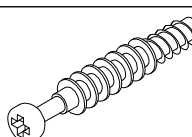
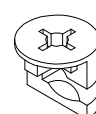

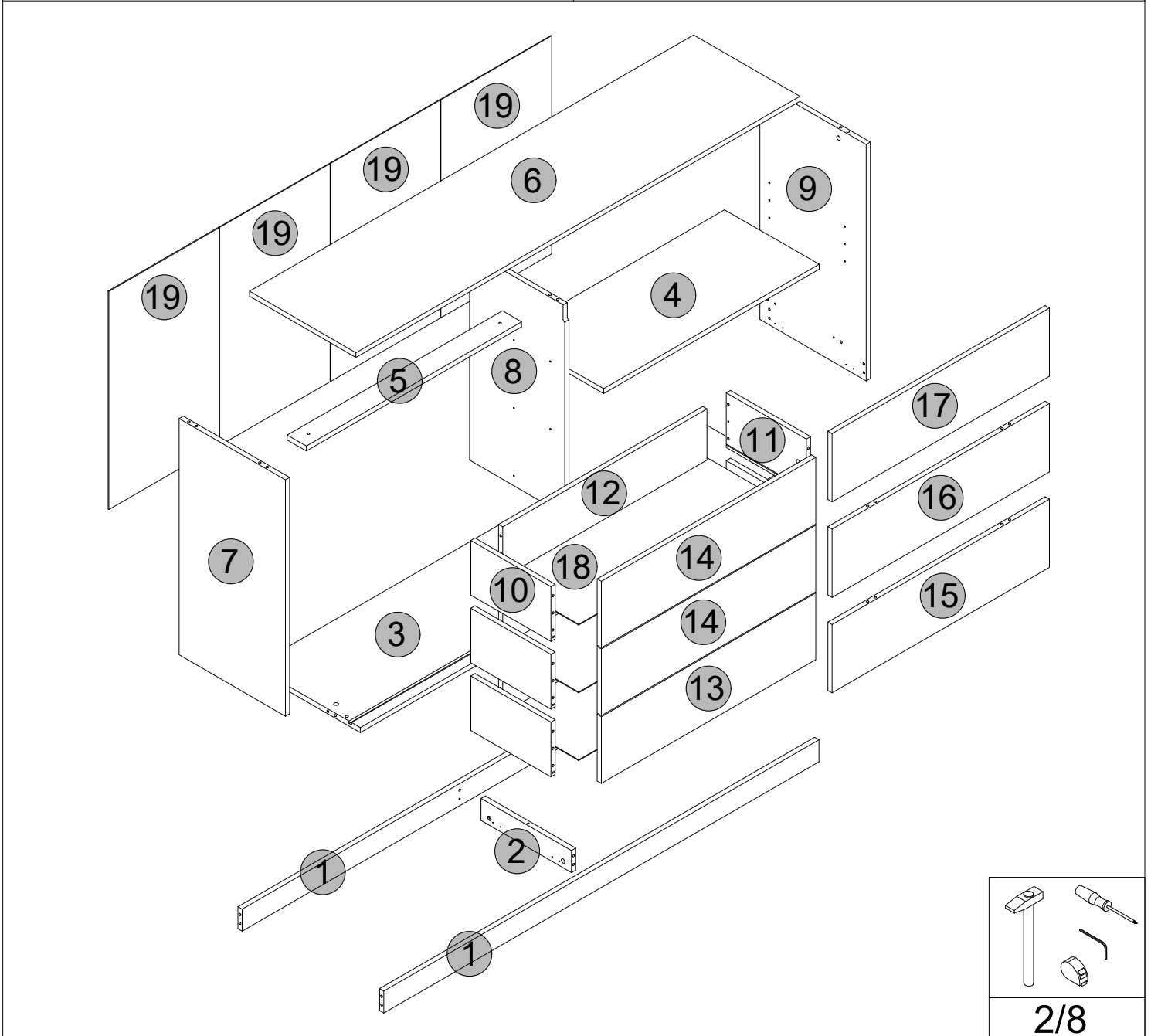
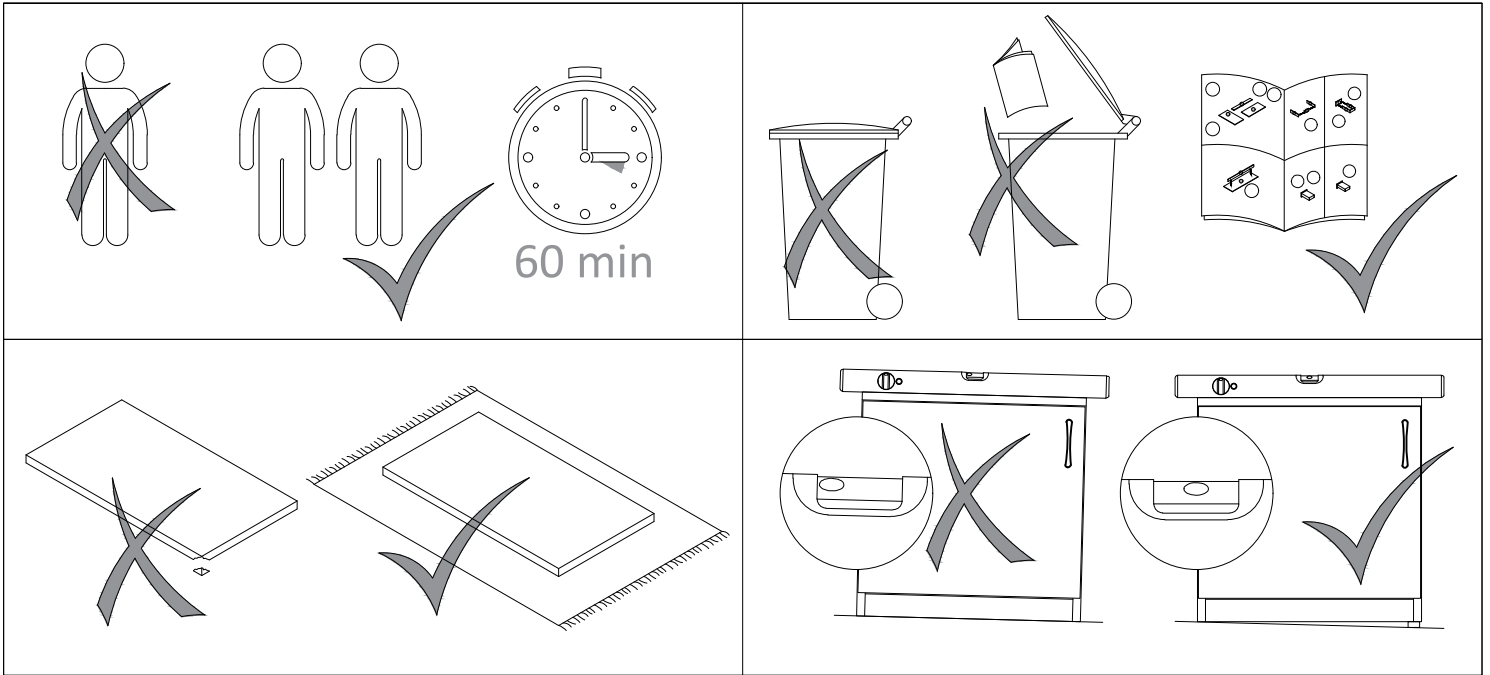




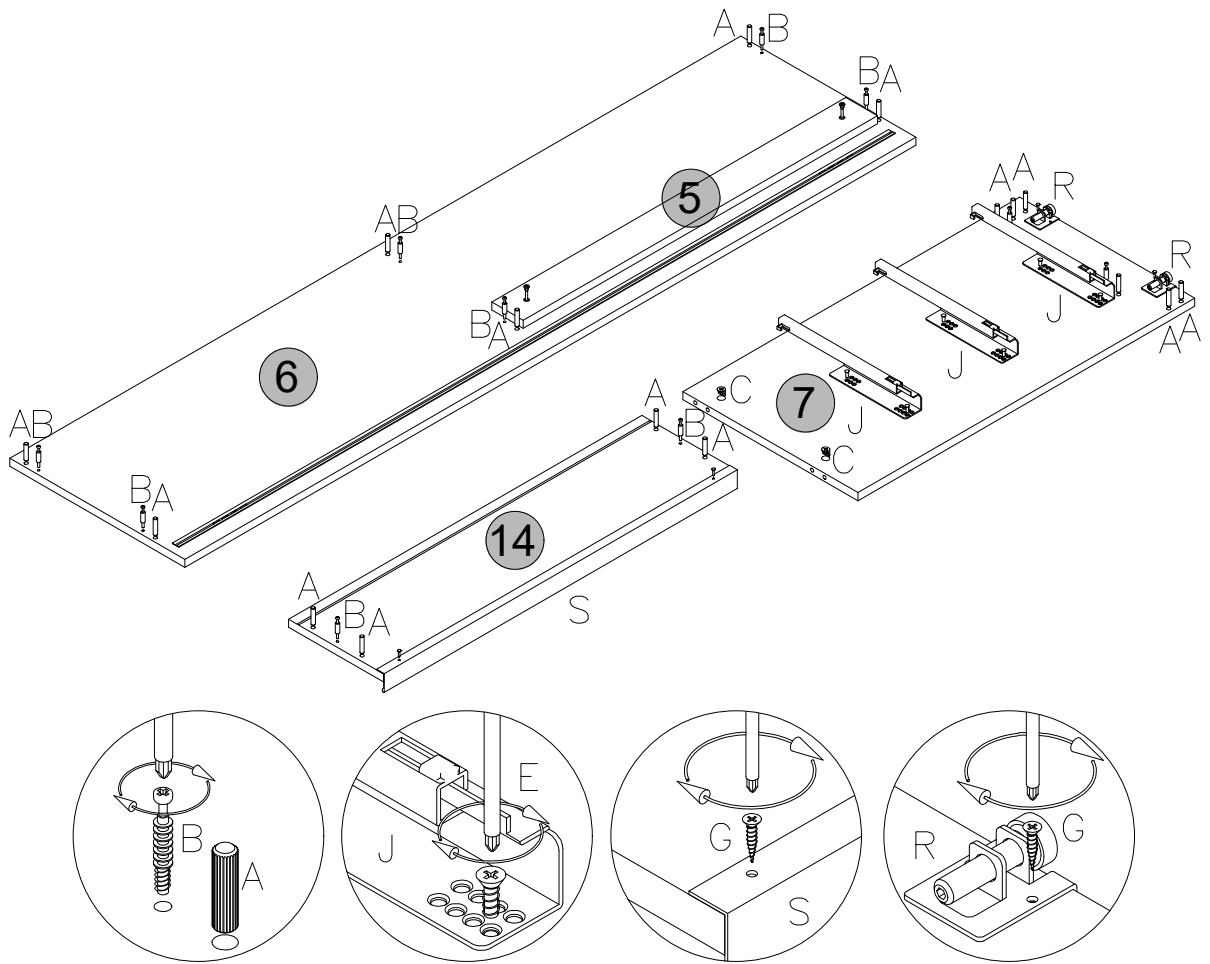
www.mbx.bg



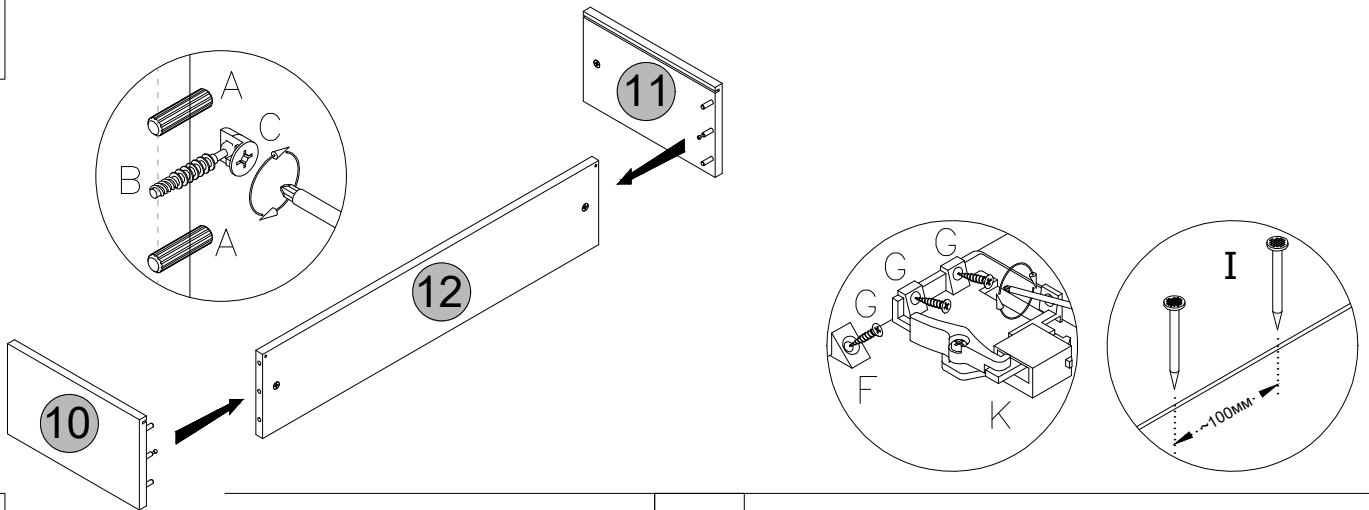
V  2x 753MM	W  1x	X  1x	Y  1x	U  1x 753MM
Q  4x	R  6x	S  3x 910MM	T  2x 753MM	P  4x
K  3x	L  8x	M  1x	O  2x	J  3x
F  9x	G  57x	H  1x 768MM	I  100x	E  12x
A  50x	B  26x	C  34x	D  18x	



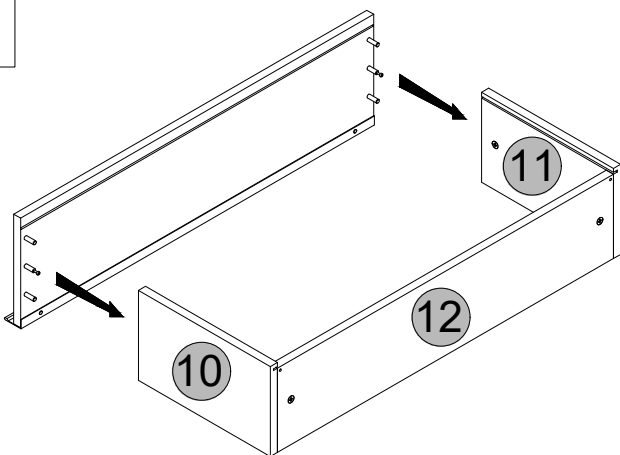
1



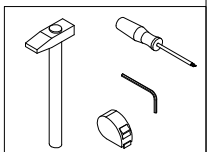
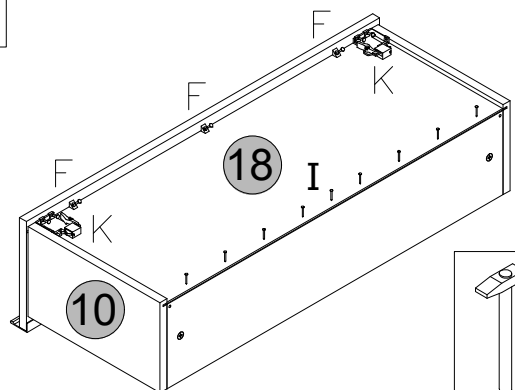
2



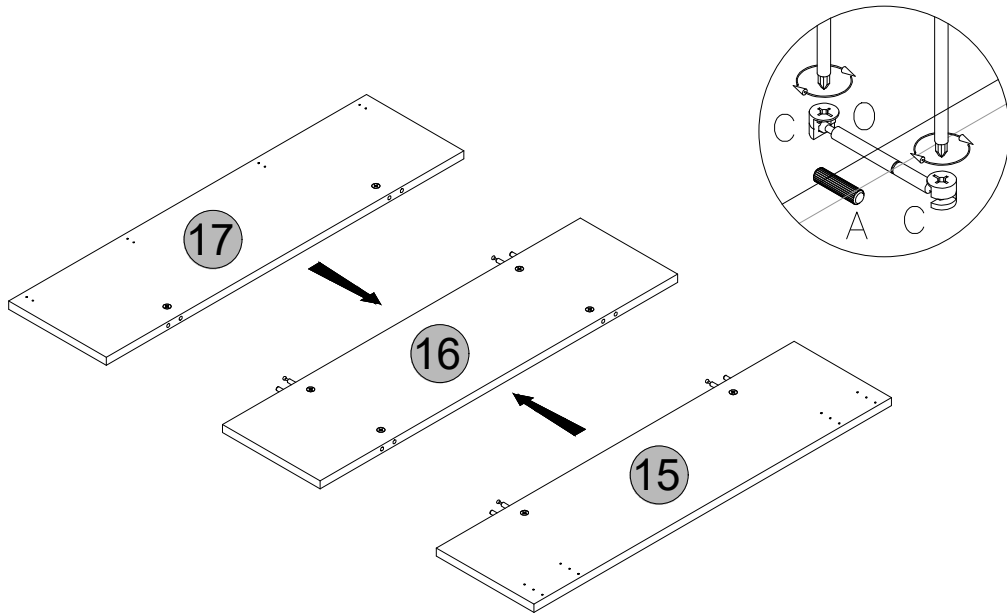
3



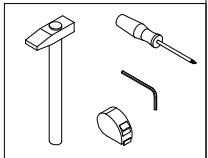
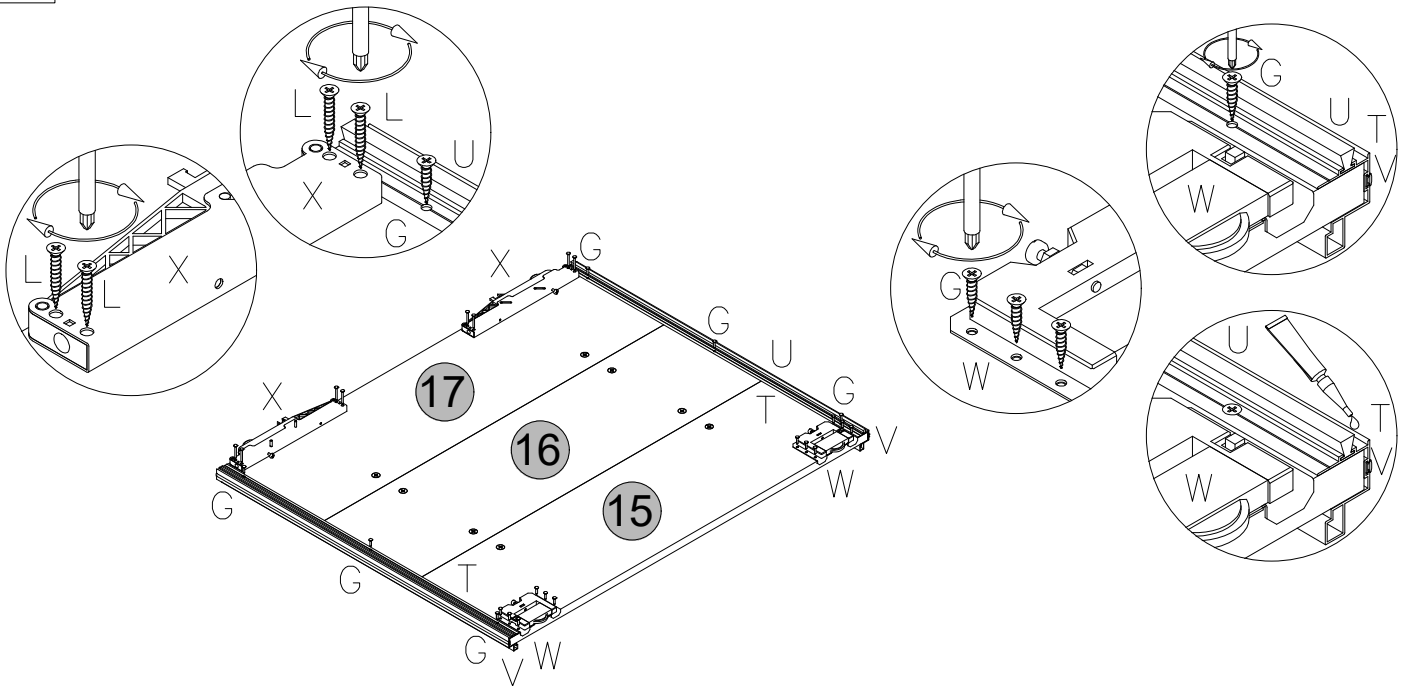
4



5

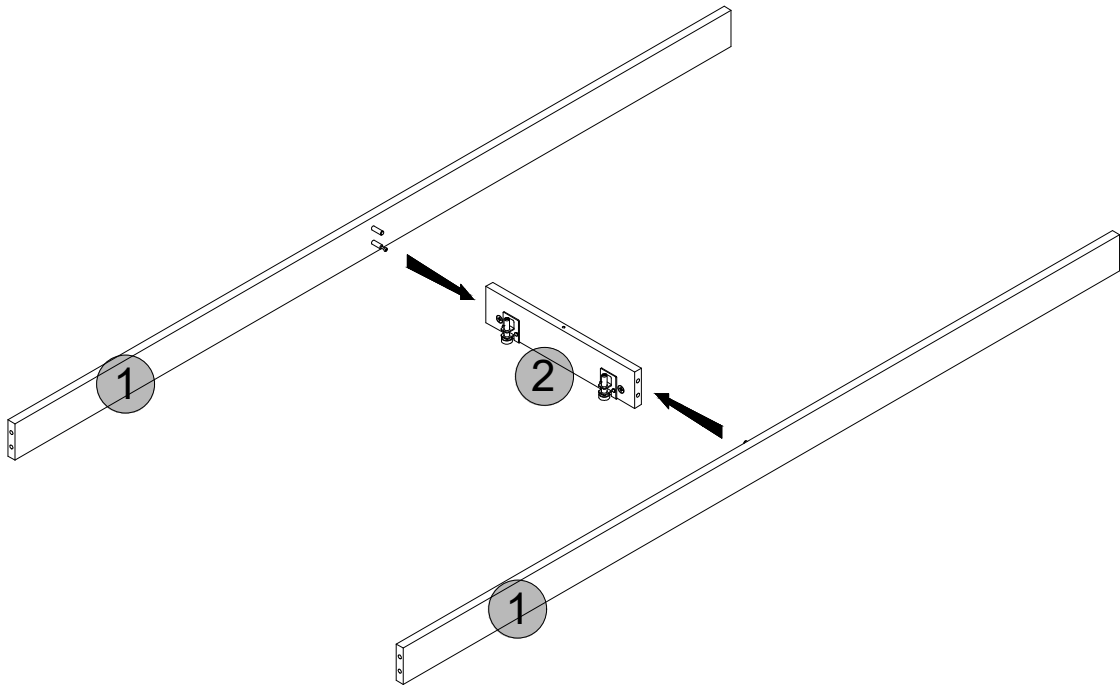


6

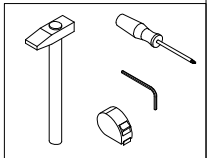
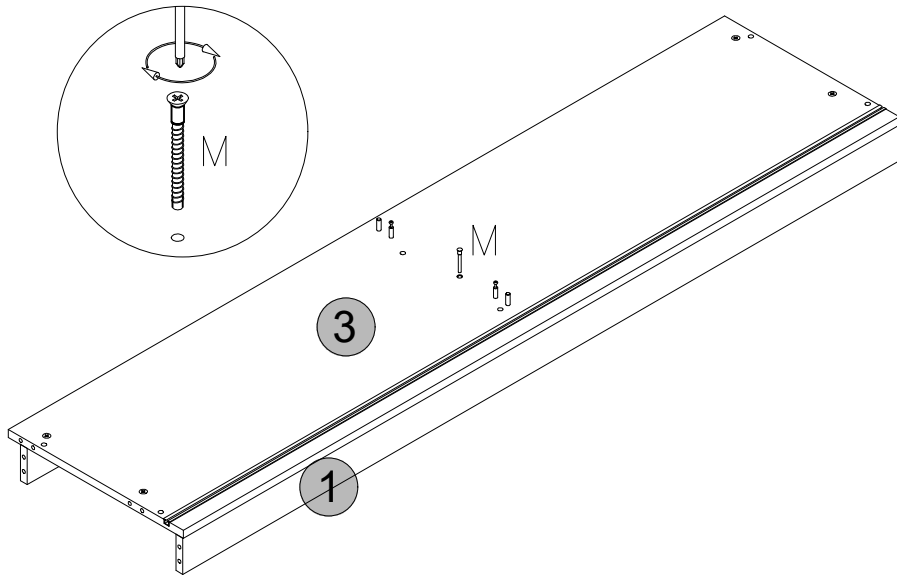


4/8

7

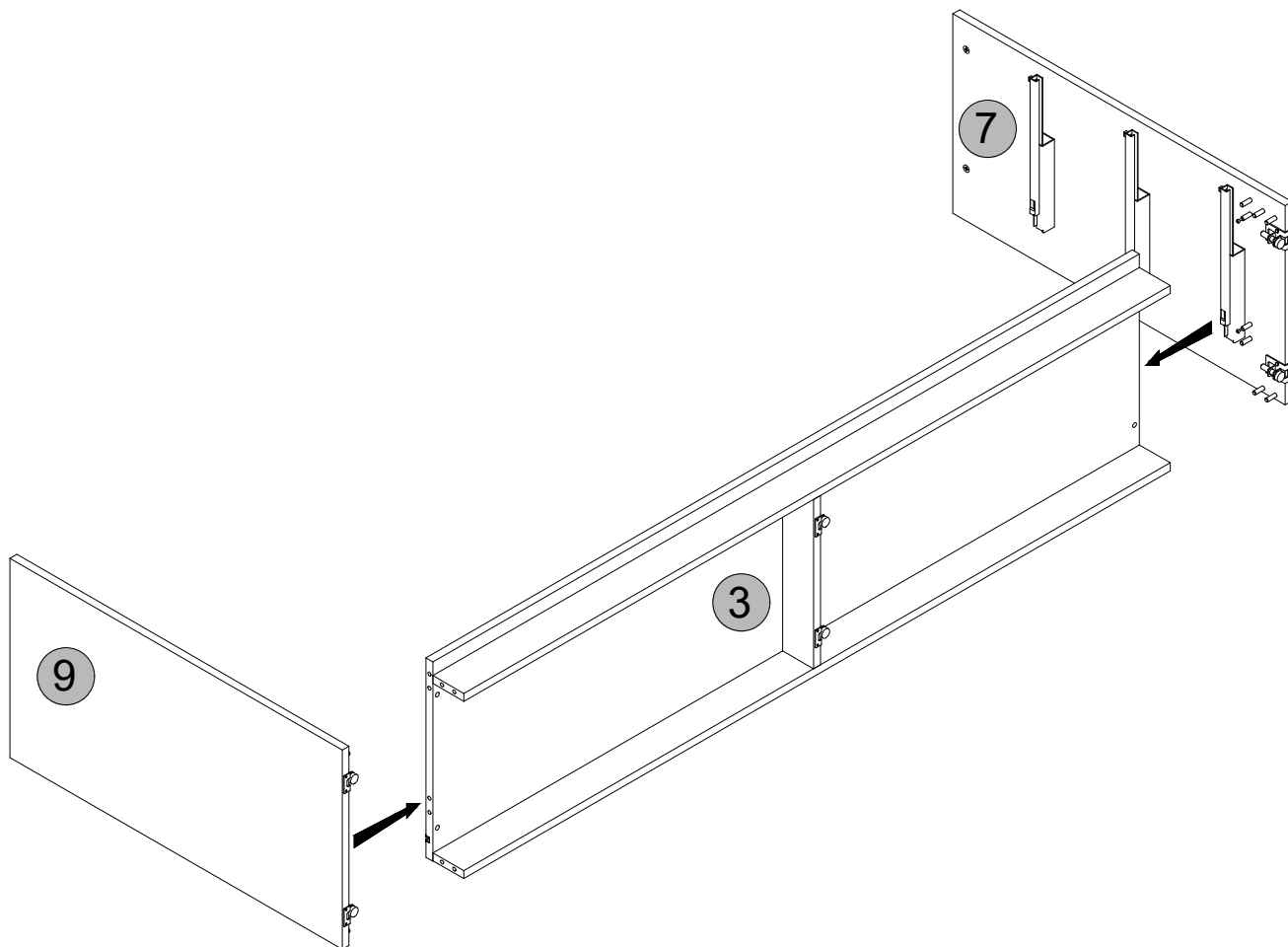


8

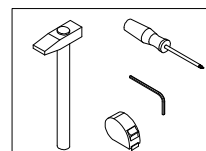
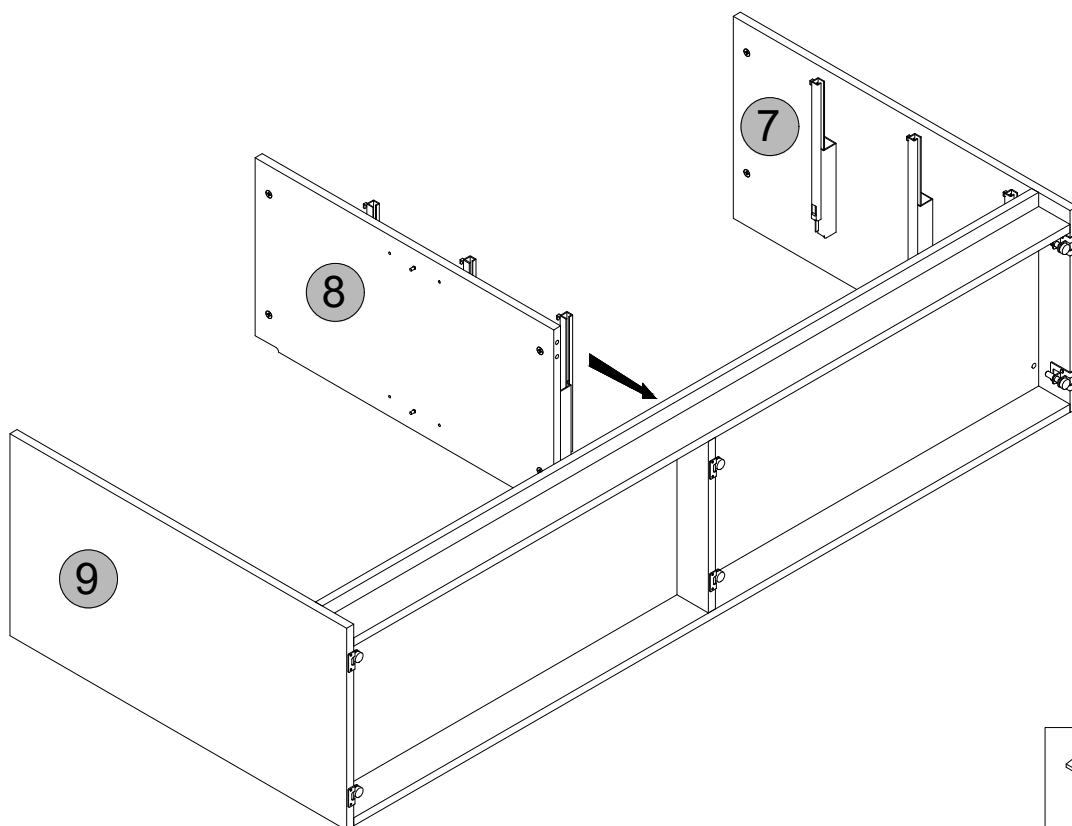


5/8

9

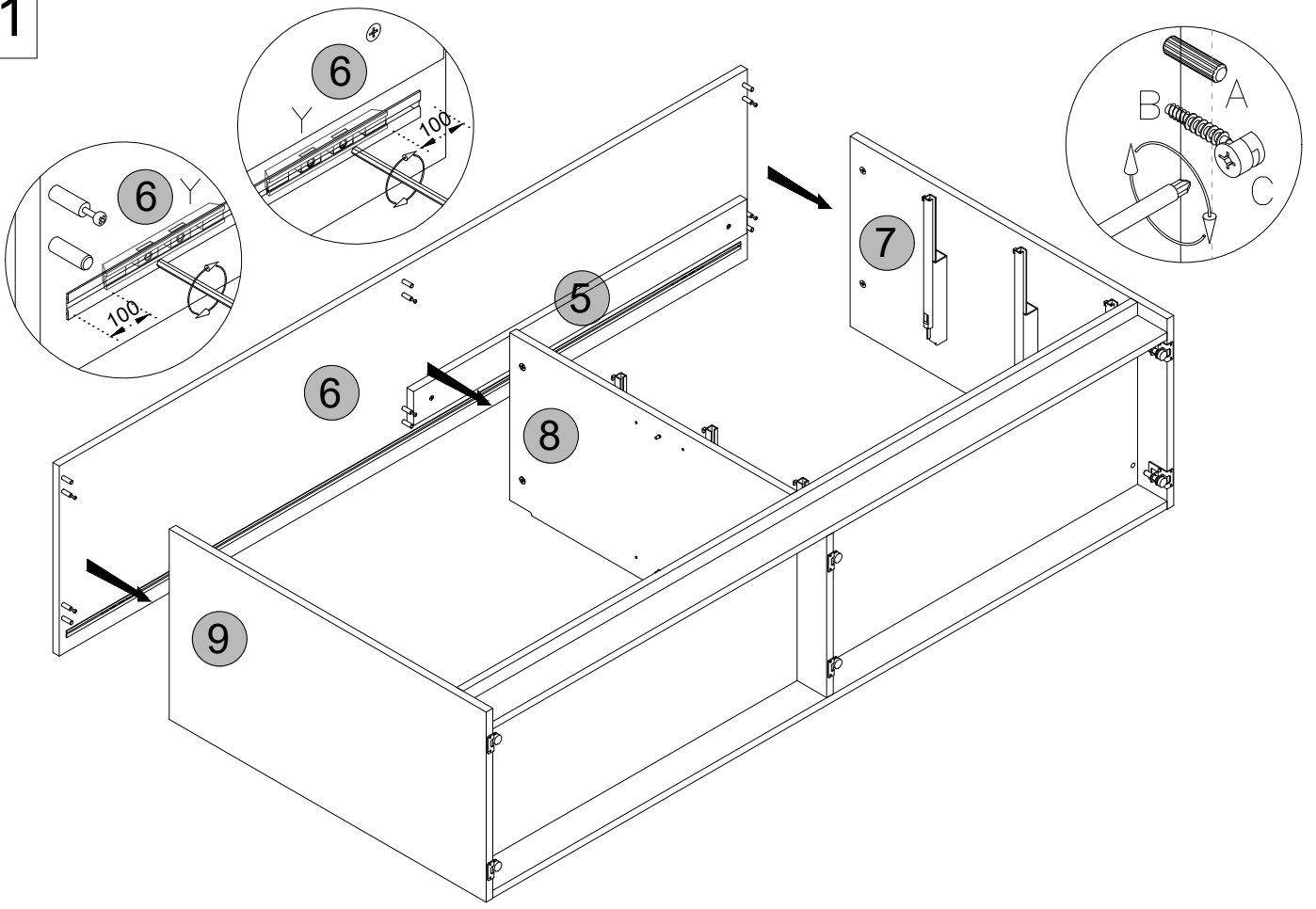


10

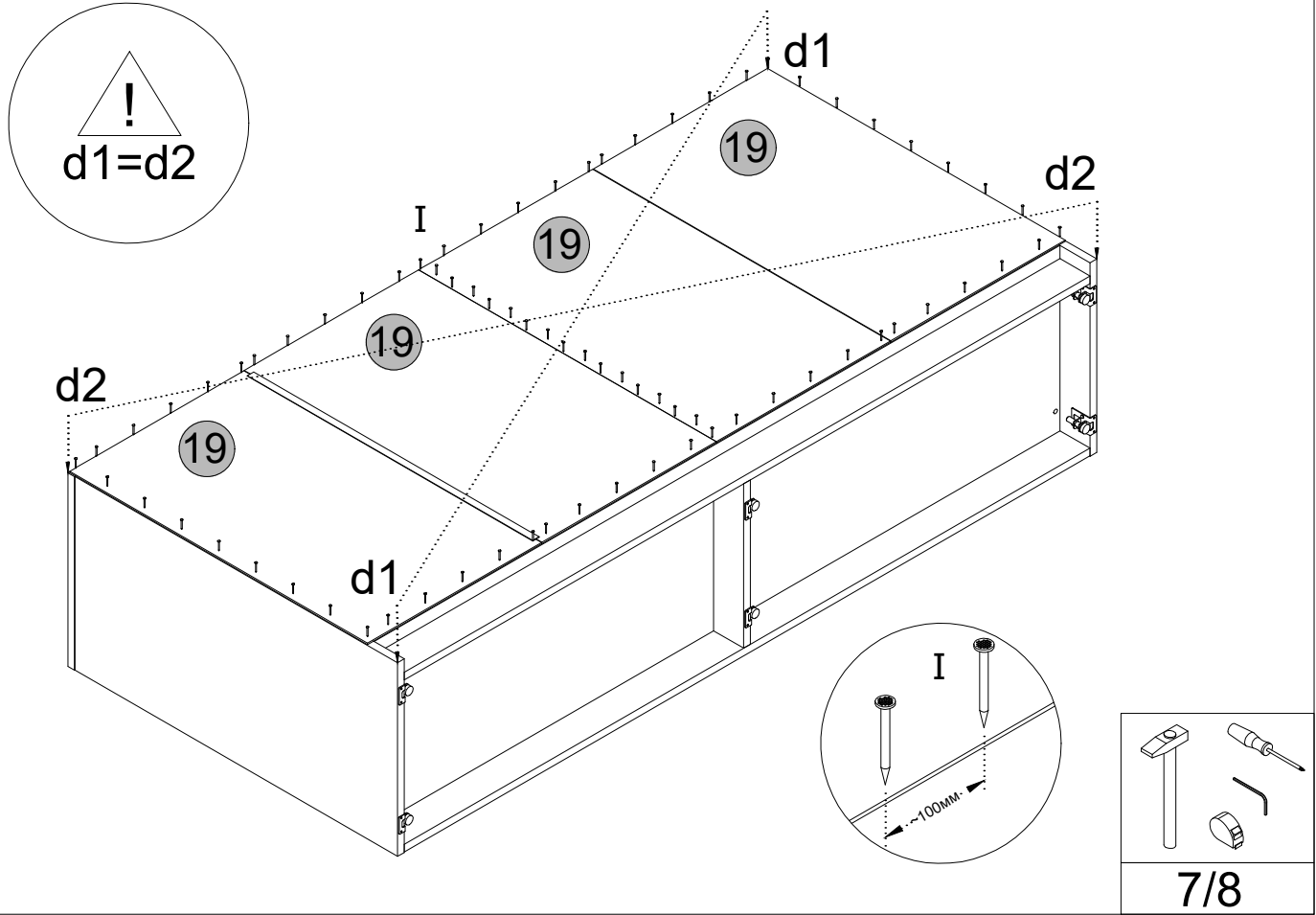


6/8

11



12



13

